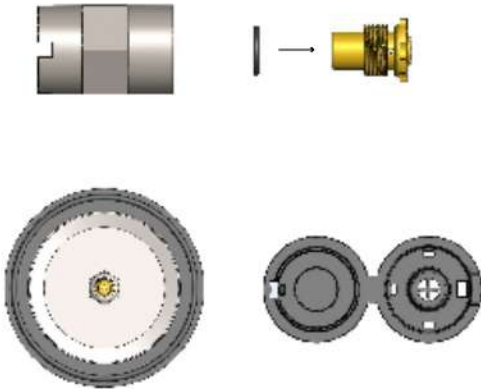
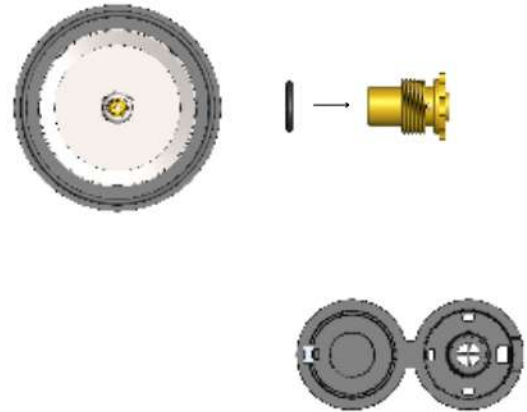




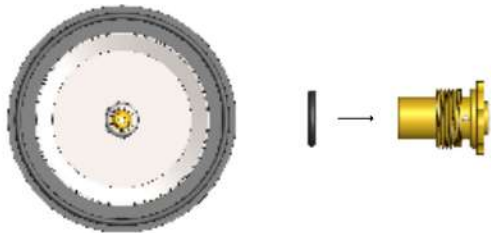
**1. Precision Plus Regulator Replacement  
Kit with opening tool (Part no. C2898)**



**2. Precision Plus Regulator Replacement  
Kit with Tamper Evident Lid (Part no. C2898-L2)**



**3. Precision Plus Regulator Replacement  
Kit (Part no. C2898-L3)**



**SIMPLY SCAN THE QR CODE PROVIDED BELOW.**

**TO VIEW DETAILED INSTRUCTIONS FOR SERVICING REGULATOR**



PDF available for details  
related to service kit



Video available for  
guidance in installation  
of service kit.