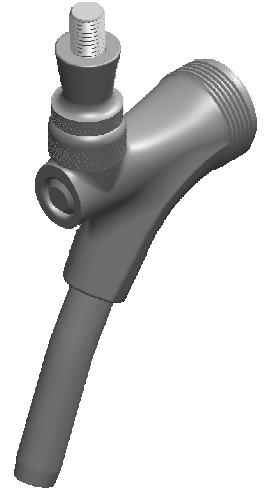
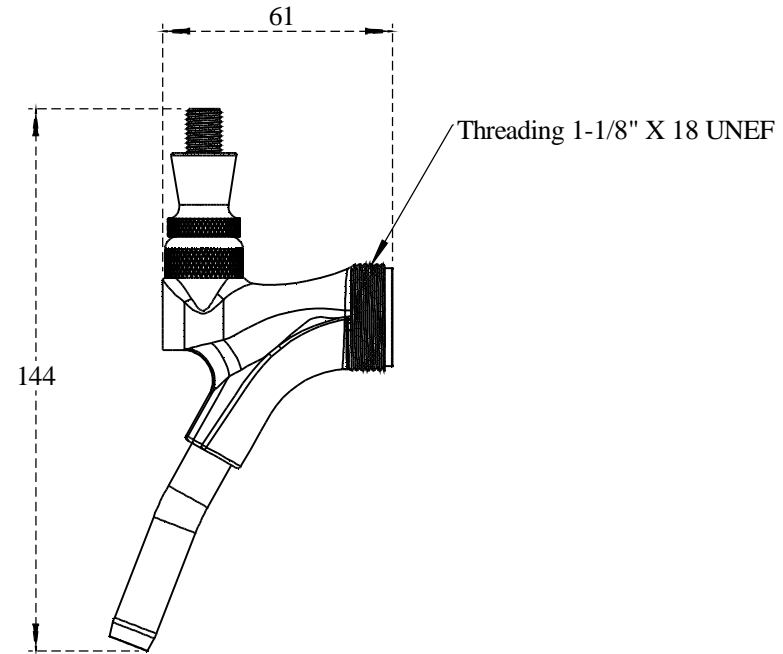
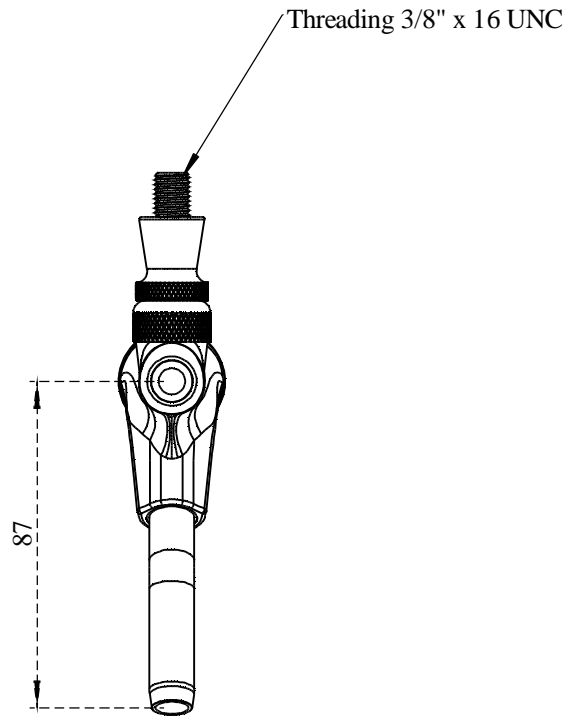


PART NO.-

C896line

TITLE-

Edge Tap Line Drawing {PVD}



Note:- Information provided for reference only.

All Dimensions are in mm