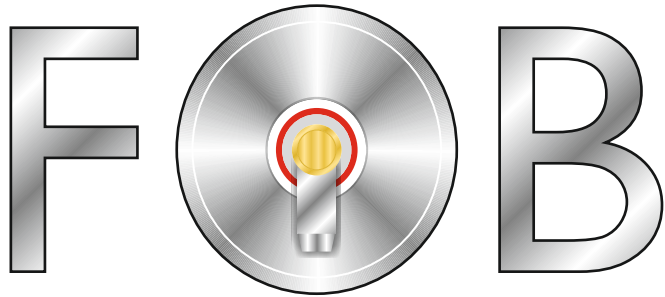




C5506



Beer Foam Detector

Foam on Beer detectors – F.O.B is a small device that results in big savings. FOB shuts off beer flow immediately after the keg goes empty but keeps the beer line full of beer. So when you tap in a new keg, no beer is wasted as foam at all.



Reduce **BEER WASTE** and **INCREASE** Profit

- 1** 100% Stainless Steel 304.
- 2** Easy to install & clean.
- 3** Designed for installers comfort.
- 4** 3 Years Extended Warranty.
- 5** Perfect for LONG DRAW Systems.

Easy to Maintain



No need to remember last cleaning week of FOB, just keep the needle on week and month.



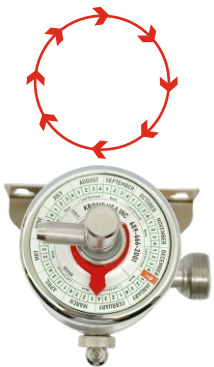
Easy to replace vent valve



Easy to replace sight glass while multiple FOB are mounted on the panel in cold room.



Easy to Install



Rotatable vent valve



← LEFT - RIGHT →

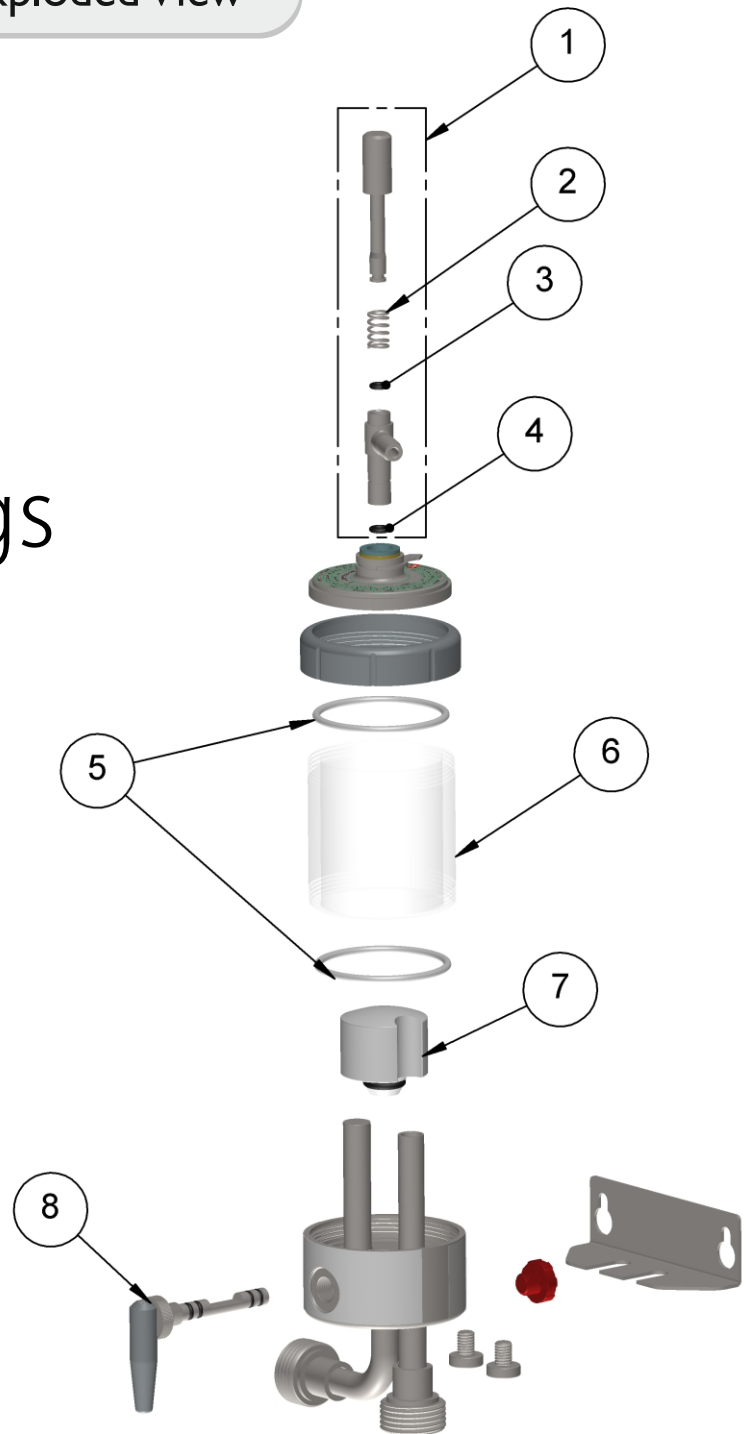
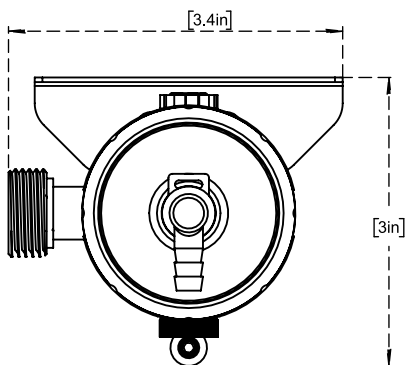
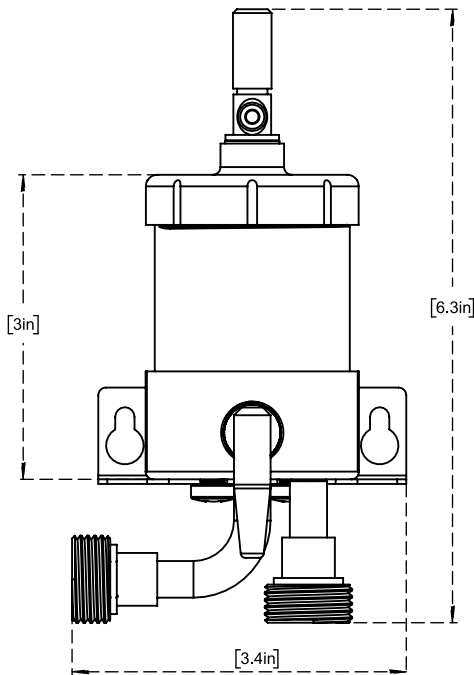
Easy switch left side to right side beer line connection by interchanging wall bracket



100%
Stainless Steel

FOB Exploded View

Get More
Beer
From Your Kegs



Item No.	Part No.	Part Name	Qty.
1	C5516.51	Vent Valve	1
2	c5516.03	Spring	1
3	C369.04.02	O ring	1
4	C5516.04	O ring	1
5	C5506.06	O ring	2
6	C5517	FOB Glass	1
7	C5506.02	Actuator	1
8	C5506.10	Cam Lever	1