



Krome dispense



Memberships



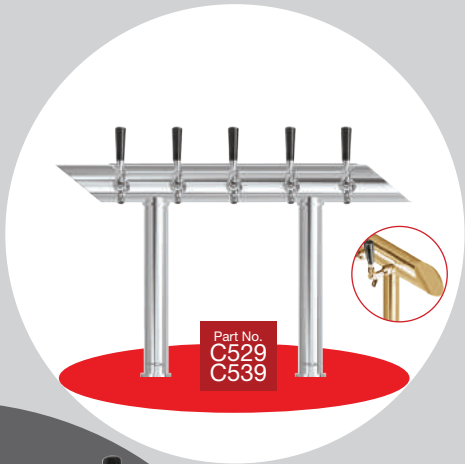
Contents

Beer Towers	3
Beer Tower Accessories	15
Medallion	20
Beer Taps & Shanks	22
Beer Tap Handles	40
DripTray	49
Drip Tray Accessories	54
Jockey Box Accesories	55
Keg Couplers	59
Party Dispensing & Accessories	67
Beer Line Fittings	74
Beer Line Cleaning Accessories	83
CO2 Accessories	87
Air Distributors	90
Home Brawing	95
Bar Accessories	106
Barista Tools	111
Tools	112

BEER TOWERS



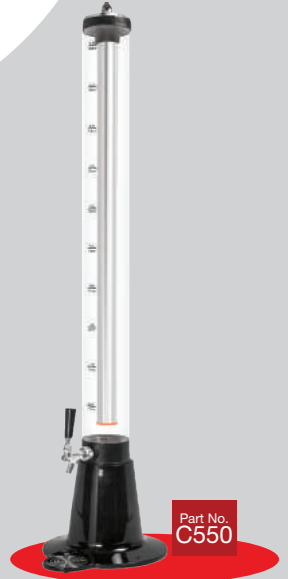
Part No.
C023
C025



Part No.
C529
C539



Part No.
C512



Part No.
C550



Part No.
C532
C531



Part No.
C501
C173
C174



Part No.
C553



Part No.
C514
C513



Part No.
C534
C734



Part No.
C564



Part No.
C533
C923



Part No.
C510



Part No.
C974



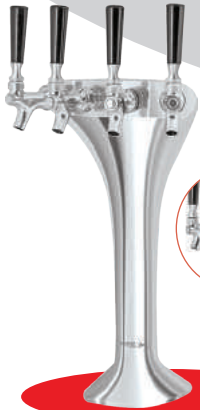
Part No.
C515
C530



Part No.
C558



Part No.
C175
C176



Part No.
C586
C582



Part No.
C527
C538



Part No.
C523



Part No.
C502
C508



Part No.
C540



SINGLE FAUCET SHARP HEAD ILLUMINATED TOWER

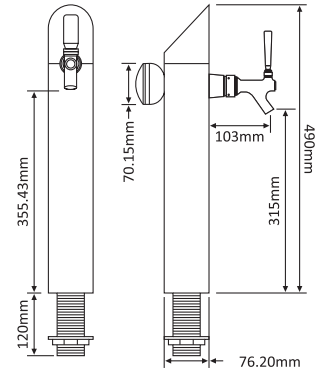
Part No.	C564
Total Height	19"
Connection	1-1/2" Shaft
Finish	Plated Brass
Faucet	1
Faucet Material	Stainless Steel
Outlet	SS Tube
Mounting System	Thru Counter Hole.
Cooling System	Glycol Recirculation Loop



Features

- Standard US Faucets & knobs.
- Stainless Steel Inlet and Recirculation Loop.
- Includes transformer (adapter) of 110V-C596.
- Supplied with 110V Adaptor.
- Quick change Illuminated Lens 80mm.

See Part # C490 for Lens option.



**100% Stainless Steel
Contact with Beer.**



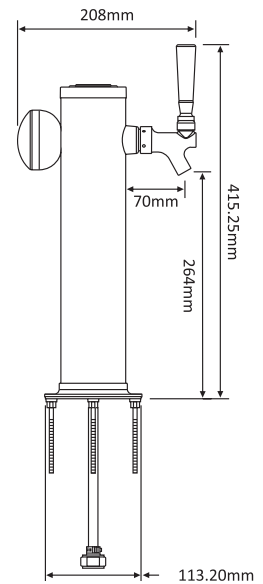
3" SINGLE FAUCET ILLUMINATED DRAFT ARM TOWER

Part No.	C553
Total Height	12"
Finish	SS Polished
Faucet	1
Faucet Material	Plated Brass
Outlet	NSF Vinyl Hose
Mounting System	With Screw
Cooling System	Air Cooled



Features

- Standard US Faucets & knobs.
- Pre-fitted with 3 /16" IDx5' long NSF approved tubing with beer nut on one end.
- All mounting hardware & gasket.
- Customs Illuminated tower logo also available.
- Includes transformer (adapter) of 110V-C596.
- Quick change Illuminated Lens 80mm.





3" SINGLE FAUCET TAPER CUT TOWER

Single Faucet Taper Cut Draft Beer Tower makes an incredible presence in commercial bar or kegerator. Made of durable Stainless Steel 304 with a slim design, it's an easy to install keg tower. Taper Back for Brand Name Display (45°).

Part No.	C512	C826	C593	C827
Total Height	18"	18"	18"	18"
Finish	SS Polished	SS Polished	SS Polished	SS Polished
Faucet	1	1	2	2
Faucet Material	Plated Brass	Stainless Steel 304	Plated Brass	Stainless Steel 304
Outlet	NSF Vinyl Hose	SS Tube	NSF Vinyl Hose	SS Tube
Mounting System	With Screw	With Screw	With Screw	With Screw
Cooling System	Air Cooled		Air Cooled	

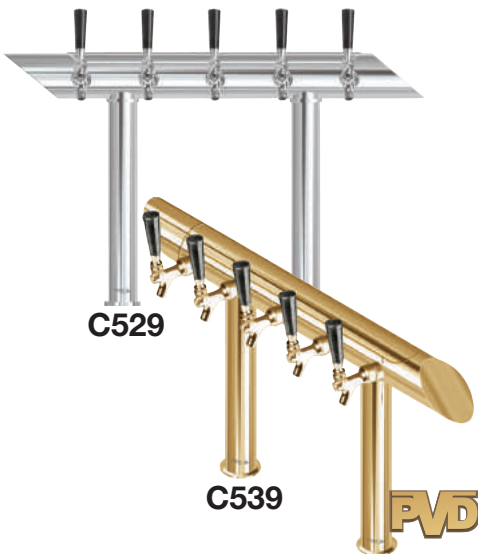
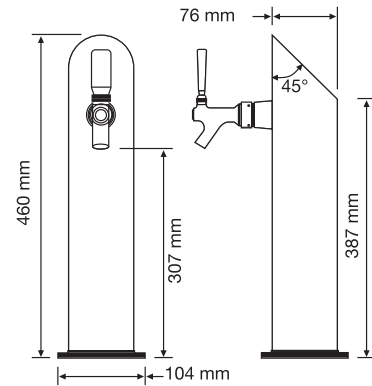


Features

- Taper back for branding possibilities.
- Standard US Faucets & knobs.
- All mounting hardware & gasket.



100% Stainless Steel Contact with Beer.



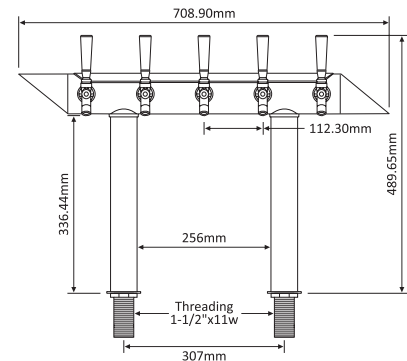
5 TAP TOWER WITH TAPER ENDS

Part No.	C529	C539
Total Height	19"	19"
Finish	Plated Brass	Vibrant Gold Color
Faucets	5	5
Faucet Material	Plated Brass	Plated Brass
Outlet	SS Tube	SS Tube
Mounting System	Thru Counter Hole.	Thru Counter Hole.
Cooling System		



Features

- 1-1/2" BSP through counter connection.
- Taper cap on both ends for Modern Look.
- Top cover lid for easy service and maintainable operations.
- Standard US Faucets & knobs not Included.
- Optional with European Faucets.





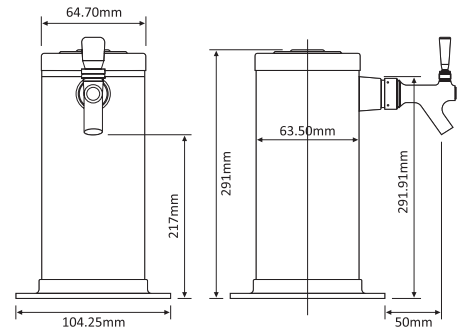
2.5" SINGLE FAUCET TOWER

Simple and economical solution for your home and commercial bar.
Looks great !

Part No.	C501
Total Height	11.5"
Finish	SS Polished
Faucet	1
Faucet Material	Plated Brass
Outlet	NSF Vinyl Hose
Mounting System	With Screw
Cooling System	Air Cooled

Features

- Standard US Faucets & Knobs.
- Pre-fitted with 3/16" ID x 5' long NSF approved tubing with beer nut on one end.
- All mounting hardware & gasket.



3" SINGLE FAUCET TOWERS

Part No.	C173	C174	C273*	C569
Total Height	12"	12"	12"	12"
Finish	SS Polished	Vibrant Gold Color	SS Polished	SS Polished
Faucet	1	1	1	1
Faucet Material	Plated Brass	Plated Brass	SS 304	SS 304
Outlet	NSF Vinyl Hose	NSF Vinyl Hose	NSF Vinyl Hose	SS Tube
Mounting System	With Screw	With Screw	With Screw	With Screw
Cooling System	Air Cooled	Air Cooled	Air Cooled	

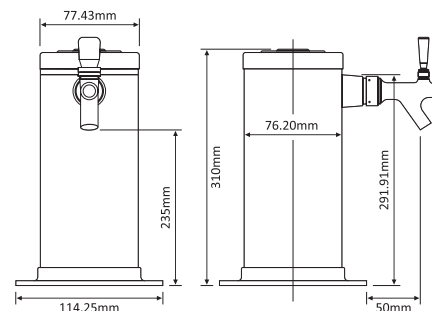


Features

- Standard US Faucets & Knobs.
- All mounting hardware & gasket.



100% Stainless Steel Contact with Beer.





3" DOUBLE FAUCET TOWERS

Double faucets that double your flavour or quantity according to your choice.

Part No.	C175	C176	C274*	C868
Total Height	12"	12"	12"	12"
Finish	SS Polished	Vibrant Gold Color	SS Polished	SS Polished
Faucets	2	2	2	2
Faucet Material	Plated Brass	Plated Brass	Stainless Steel 304	Stainless Steel 304
Outlet	NSF Vinyl Hose	NSF Vinyl Hose	NSF Vinyl Hose	SS Tube
Mounting System	With Screw	With Screw	With Screw	With Screw
Cooling System	Air Cooled	Air Cooled	Air Cooled	

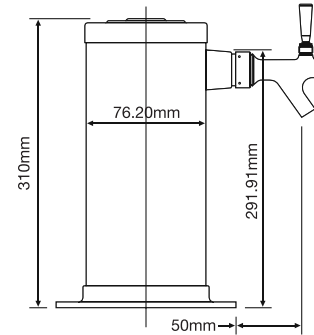


Features

- Standard US Faucets & knobs.
- All mounting hardware & gasket.



100% Stainless Steel Contact with Beer.



3" TRIPLE FAUCET TOWERS

Triple faucet towers are simply best for business and grand parties to satisfy the large number of people. Saves space as well.

Part No.	C275	C502	C508	C869
Total Height	14"	14"	14"	14"
Finish	SS Polished	Vibrant Gold Color	SS Polished	SS Polished
Faucets	3	3	3	3
Faucet Material	Stainless Steel 304	Plated Brass	Plated Brass	Stainless Steel 304
Outlet	NSF Vinyl Hose	NSF Vinyl Hose	NSF Vinyl Hose	SS Tube
Mounting System	With Screw	With Screw	With Screw	With Screw
Cooling System	Air Cooled	Air Cooled	Air Cooled	

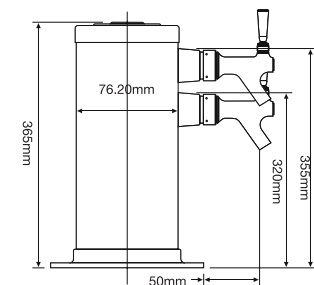


Features

- Standard US Faucets & knobs.
- All mounting hardware & gasket.



100% Stainless Steel Contact with Beer.



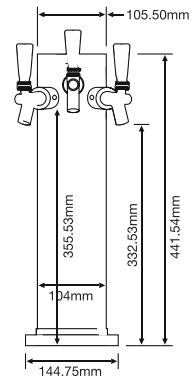


4" TRIPLE FAUCET TOWER

Part No.	C523
Total Height	14"
Finish	SS Polished
Faucet	3
Faucet Material	Plated Brass
Outlet	NSF Vinyl Hose
Mounting System	With Screw
Cooling System	Air Cooled

Features

- Standard US faucet and Knobs.
- Pre fitted with 3/16" ID X 5' long NSF approved tubing with beer nut on one end.
- All mounting hardware and gasket.



4" FOUR FAUCET TOWERS

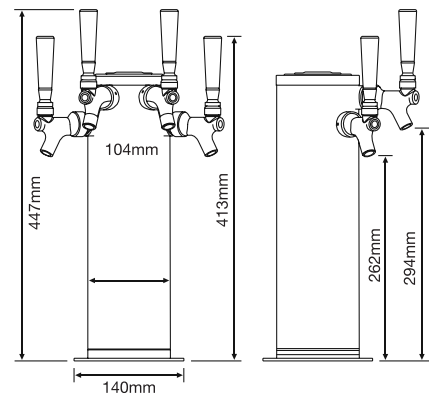
Part No.	C540	C559
Total Height	14 "	14"
Finish	SS Polished	SS Polished
Faucets	4	4
Faucet Material	Plated Brass	Stainless Steel 304
Outlet	NSF Vinyl Hose	NSF Vinyl Hose
Mounting System	With Screw	With Screw
Cooling System	Air Cooled	Air Cooled



Features

- Standard US faucet and Knobs.
- Pre fitted with 3/16" ID X 5' long NSF approved tubing with beer nut on one end.
- All mounting hardware and gasket.

SS 100% Stainless Steel Contact with Beer.





T Tower is a great solution to satisfied the large no. of people with variety of beers.

TRIPLE FAUCET T TOWER 3" COLUMN

Part No.	C509	C956
Column Diameter	3"	3"
Total Height	16"	16"
Finish	SS Polished	SS Polished
Faucets	3	3
Faucet Material	Plated Brass	Stainless Steel304
Outlet	NSF Vinyl Hose	NSF Vinyl Hose
Mounting System	With Screw	With Screw
Cooling System	Air Cooled	Glycol Recirculation Loop

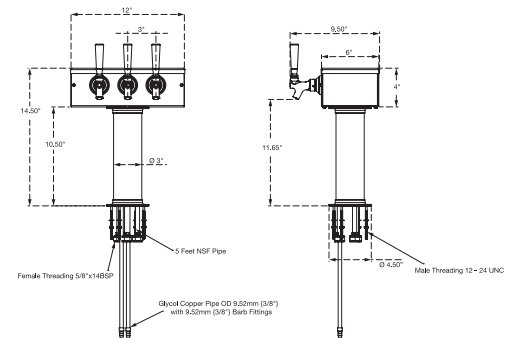


Features

- Standard US Faucets & knobs.
- All mounting hardware & gasket.



100% Stainless Steel Contact with Beer.



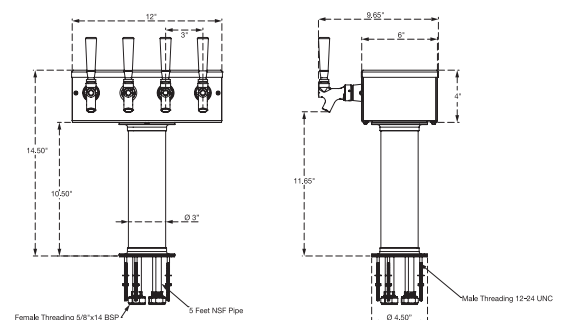
FOUR FAUCET T TOWER 3" COLUMN

T Tower is a great solution to satisfied the large no. of people with variety of beers.

Part No.	C510
Column Diameter	3"
Total Height	16"
Finish	SS Polished
Faucets	4
Faucet Material	Plated Brass
Outlet	NSF Vinyl Hose
Mounting System	With Screw
Cooling System	Air Cooled

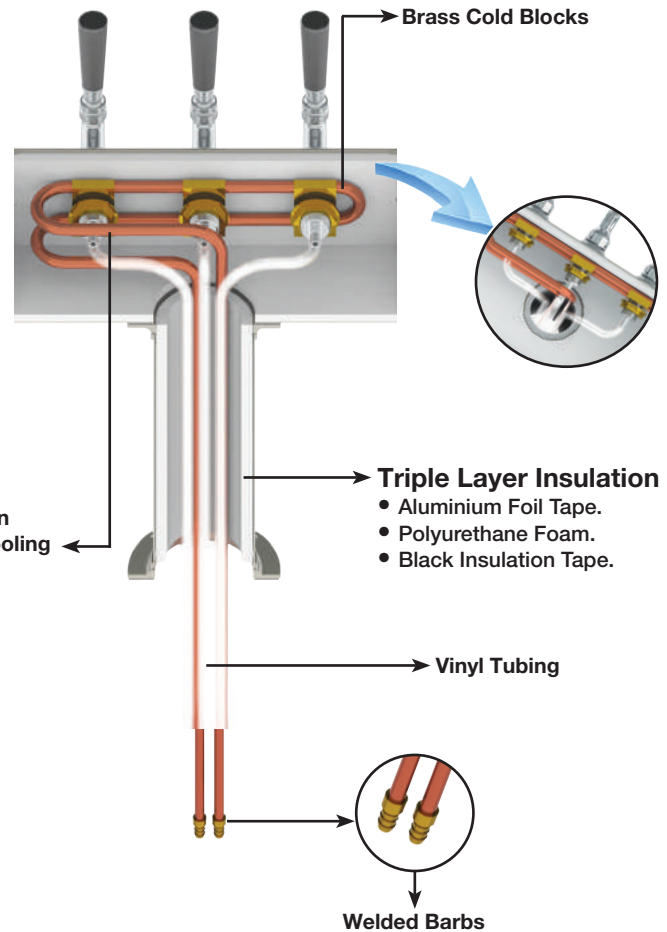
Features

- Standard US Faucets & knobs.
- All mounting hardware & gasket.





100% SS
304
Grade



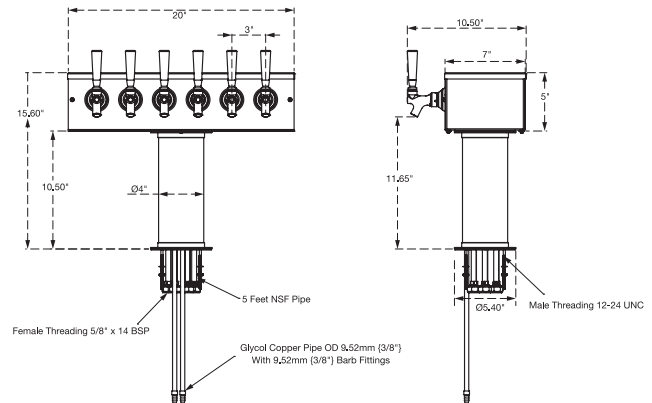
GLYCOL RECIRCULATION LOOP DRAFT BEER TOWERS

Part	C956	C957	C985	C986	C974
Box Size	12"	20"	20"	20"	24"
Column Size	3"	4"	4"	4"	4"
Taps	3	4	5	6	8
Finish	SS Polished	SS Brushed	SS Brushed	SS Brushed	SS Brushed

Features

- 100% Stainless Steel Contact with Beer.
- Stainless Steel Faucets.
- Brass Cold Blocks.
- Copper Glycol Recirculation Loop Tube for optimum Cooling.
- Industry Standards Barbs.
- 5 Feet NSF Approved Vinyl Tubing with beer nuts on end.

**100% Stainless Steel
Contact with Beer.**



T TOWERS 4" COLUMN

Part No.	C957	C985	C557	C558	C986	C974
Column Diameter	4"	4"	4"	4"	4"	4"
Total Height	15"	15"	15"	15"	15"	15"
Total Length	20"	20"	20"	20"	20"	24"
Finish	SS Polished	SS Brushed	SS Brushed	SS Brushed	SS Brushed	SS Brushed
Faucets	4	5	6	8	6	8
Faucet Material	Stainless Steel 304	Stainless Steel 304	Plated Brass	Plated Brass	Stainless Steel 304	Stainless Steel 304
Outlet	NSF Vinyl Hose	NSF Vinyl Hose	NSF Vinyl Hose	NSF Vinyl Hose	NSF Vinyl Hose	NSF Vinyl Hose
Mounting System	With Screw	With Screw	With Screw	With Screw	With Screw	With Screw
Cooling System	Glycol Recirculation Loop	Glycol Recirculation Loop	Air Cooled	Air Cooled	Glycol Recirculation Loop	Glycol Recirculation Loop

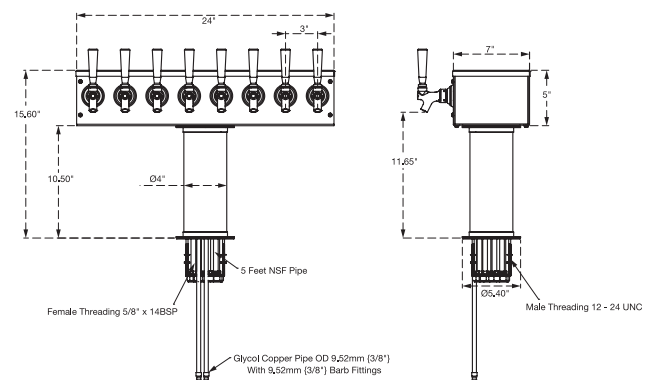


Features

- Connection (not included, order separately).
- 3/16" tail piece, hex nut & washer.
- Faucet spacing : 3" center to center.
- All mounting hardware & gasket.



100% Stainless Steel Contact with Beer.



*Double Pedestal T Towers also available check our Website.



C513

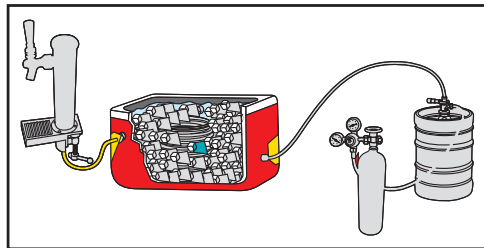
CLAMP-ON TOWERS

Towers with Drip Tray are of great use for Temporary Dispensing & Special Events.

Part No.	C513	C514
Tower Diameter	3"	3"
Tower Height	12"	12"
Finish	SS Polished	SS Polished
Faucets	1	2
Faucet Material	SS 304	SS 304
Drip Tray Size	5"x 6"	10"x6"
Drip Tray Material	Stainless Steel 304	Stainless Steel 304
Drip Tray Finish	Brushed	Brushed
Outlet	NSF Vinyl Hose	NSF Vinyl Hose
Mounting System	Clamp on	Clamp on
Cooling System	Air Cooled	Air Cooled



C514



Features

- Standard US Faucets & knobs.
- Pre-fitted with 3/16" ID x 5' long NSF approved tubing with beer nut on one end.
- All mounting hardware & gasket.



100% Stainless Steel Contact with Beer.



C515

C530

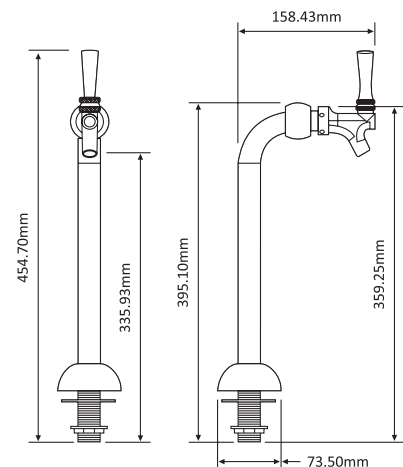
SINGLE FAUCET AXIS TOWERS

This stylish single tap draft beer tower makes an incredible presence in commercial bar or kegorator at home. Made of brass with a slim design, it's an easy to install keg tower.

Part No.	C515	C530
Total Height	18"	18"
Finish	Plated Brass	Vibrant Gold Color
Faucet	1	1
Faucet Material	Plated Brass	Plated Brass
Outlet	NSF Vinyl Hose	NSF Vinyl Hose
Mounting System	Thru Hole	Thru Hole
Cooling System	Air Cooled	Air Cooled

Features

- Standard US Faucets & knobs.
- Pre-fitted with 3/16" ID x 5' long NSF approved tubing with beer nut on one end.
- All mounting hardware & gasket.





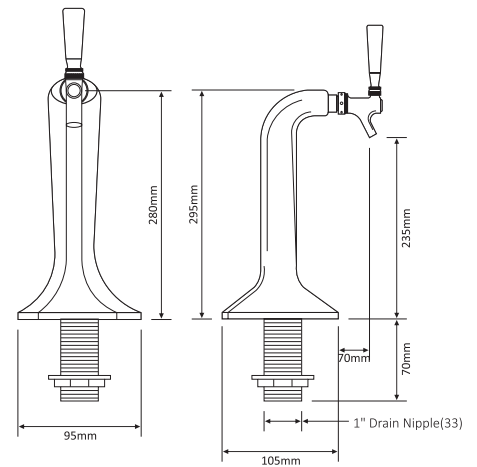
SINGLE FAUCET SNAKE TOWERS

A modern design with a smooth hint of masculinity which fit all kinds of interiors in modern bars, restaurants and clubs serving beer, wine and beverages on draught.

Part No.	C533	C923
Total Height	15.35"	15.35"
Finish	Plated Brass	Vibrant Gold Color
Faucet	1	1
Faucet Material	Plated Brass	Plated Brass
Outlet	NSF Vinyl Hose	NSF Vinyl Hose
Mounting System	Thru Hole	Thru Hole
Cooling System	Air Cooled	Air Cooled

Features

- Standard US Faucets & knobs.
- Pre-fitted with 3/16" ID x 5' long NSF approved tubing with beer nut on one end.
- All mounting hardware & gasket.
- Brass shaft thread 1" Drain nipple thru counter.



DOUBLE FAUCET SNAKE TOWER

Part No.	C534	C734
Total Height	15.35"	15.35"
Connection	1"	1"
Finish	Plated Brass	Vibrant Gold Color
Faucet	2	2
Faucet Material	Plated Brass	Plated Brass
Outlet	NSF Vinyl Hose	NSF Vinyl Hose
Mounting System	Thru Hole	Thru Hole
Cooling System	Air Cooled	Air Cooled

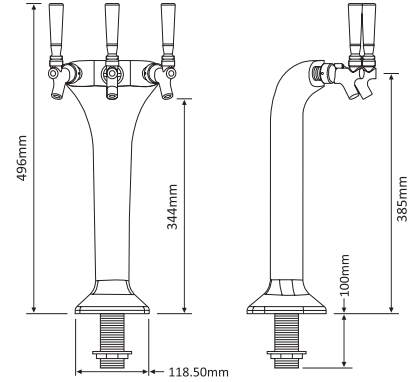
Features

- Option of Thru Bar/ Clamp On.
- Optional with European Flow Control taps.
- All mounting hardware & gasket.
- Brass Shaft thread 1" Drain Nipple through counter.
- Pre-fitted with 3/16" ID x 5' long NSF approved tubing with beer nut on one end.



TRIPLE FAUCET SNAKE TOWER

- Part No.** C582
- Total Height** 15.35"
- Connection** 1-1/2"
- Finish** Plated Brass
- Faucets** 3
- Faucet Material** Plated Brass
- Outlet** NSF Vinyl Hose
- Mounting System** Thru Hole
- Cooling System** Air Cooled



Features

- Pre-fitted with 3/16" ID x 5' long NSF approved tubing with beer nut on one end.
- Thru Bar/Clamp on.
- Standard US faucets and Knobs.
- Optional with European Flow Control Faucet-ABS Spout (C276).



FOUR FAUCET SNAKE TOWER

- Part No.** C586
- Total Height** 15.35"
- Connection** 1-1/2"
- Finish** Plated Brass
- Faucets** 4
- Faucet Material** Plated Brass
- Outlet** NSF Vinyl Hose
- Mounting System** Thru Hole
- Cooling System** Air Cooled

Features

- Pre-fitted with 3/16" ID x 5' long NSF approved tubing with beer nut on one end.
- Standard US faucet & Knobs.
- Thru Bar/Clamp on.



C531



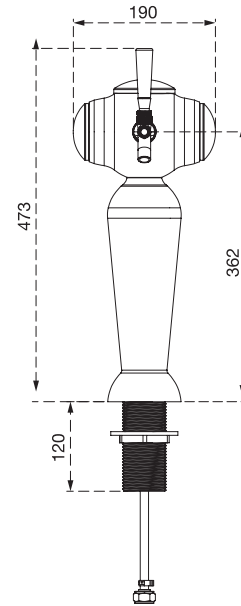
THREE TAP INSPIRE TOWER

This stylish draft beer tower makes an incredible addition to any kegerator made of durable chrome plated brass with an Inspire design, it's an easy to install keg tower.

Part No.	C531
Finish	Plated Brass
Faucets	1
Faucet Material	Plated Brass
Outlet	NSF Vinyl Hose
Mounting System	Thru Hole
Cooling System	Air Cooled

Features

- Pre-fitted with 3/16" ID x 5' long NSF approved tubing with beer nut on one end.
- 2" Connection thru counter.
- Optional Copper glycol cooling loop.



C532



THREE TAP INSPIRE TOWER

Part No.	C532
Finish	Plated Brass
Faucets	3
Faucet Material	Plated Brass
Outlet	NSF Vinyl Hose
Mounting System	Thru Hole
Cooling System	Air Cooled

Features

- Pre-fitted with 3/16" ID x 5' long NSF approved tubing with beer nut on one end.
- 2" Connection thru counter.



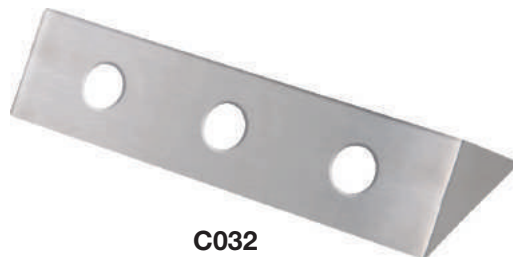
STAINLESS STEEL UNDER BAR BRACKET



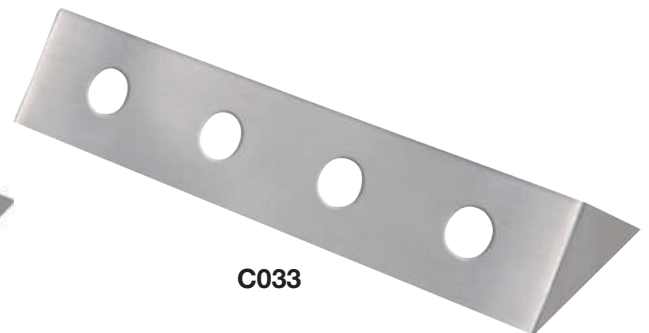
C030



C031



C032



C033

Part No.	C030	C031	C032	C033
Faucet Holes	1	2	3	4
Length	4"	7"	10"	13"
Material	Stainless Steel 304			
Finish	Brushed			



C516*



C520*

DRAFT BEER TOWER EXTENSIONS

Double faucets that double your flavour or quantity according to your choice.

Part No.	C516*	C520*
Shank Material	Plated Brass	Brass
Shank Finish	Plated Brass	Vibrant Gold Color

Features

- *Easily converts an existing 1 faucet tower in to a 2 faucets tower.
- Recommended for use only with 3" diameter metal towers.
- Includes column shank assembly, Drill bits and Screws.



C517#



C521#

Part No.	C517#	C521#
Shank Material	Plated Brass	Plated Brass
Shank Finish	Plated Brass	Vibrant Gold Color

Features

- *Easily converts an existing 2 faucet tower in to a 3 faucets tower.
- Recommended for use only with 3" diameter metal towers.
- Includes column shank assembly, Drill bits and Screws.



C518+



C522+

Part No.	C518+	C522+
Shank Material	Plated Brass	Plated Brass
Shank Finish	Plated Brass	Vibrant Gold Color

Features

- *Easily converts an existing 1 faucet tower in to a 3 faucets tower.
- Recommended for use only with 3" diameter metal towers.
- Includes column shank assembly, Drill bits and Screws.



*Changes Single Faucet Tower into a Double Faucet Tower



*Changes Double Faucet Tower into a Triple Faucet Tower



*Changes Single Faucet Tower into a Triple Faucet Tower

**Order Faucet and Hose Separately
C201 Faucet & C110 Hose.**



TOWER CAPS

Replacement Tower cap for standard US draft arms.

Part No.	C506	C507	C592
Diameter	3"	3"	3"
Finish	Vibrant Gold Color	Plated Brass	Brushed
Material	Brass	Brass	Stainless Steel 304

Features

- It used to keep the dust away.
- Easily removable.



SQUARE COLD BLOCK

Part No.	C228
Material	Brass

Features

- Glycol Line Cold Kit component. Fits 5/8" Shank.
- Suitable with 3/8" OD copper tubing.
- It holds the recirculation pipe.



COOLING BLOCK

Part No.	C258
Material	Aluminium

Features

- Suitable for US Shanks.
- It holds the recirculation pipe.



CLAMP-ON BRACKET WITH DRIP TRAY

Part No.	C500
Drip Tray Size	12" x 5"
Drip Tray Type	With Drain
Drip Tray Finish	Brushed
Drip Tray Material	SS 304

Features

- Clamp on Bracket for European style Fonts.
- *Suitable for mounting Snake font C533.



C059



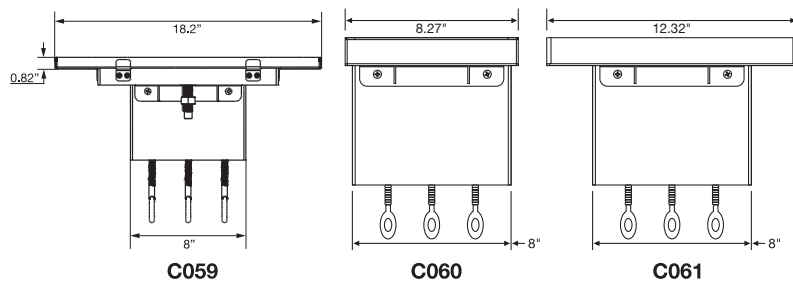
C060

CLAMP ON TOWER BIGGER & FROSTY / ICED DRIP TRAY.

Part No.	C059	C060	C061
Clamp on Bracket Finish :	Powder Coated	Powder Coated	Powder Coated
Clamp on Bracket Material :	Stainless Steel 304	Stainless Steel 304	Stainless Steel 304
Drip Tray Material :	Stainless Steel 304	Stainless Steel 304	Stainless Steel 304
Drip Tray Finish	Brushed	Brushed	Brushed
Drip Tray Length :	457 mm	210 mm	313 mm
Drip Tray Width :	203 mm	188.64 mm	188.64 mm
Drip Tray Height :	30 mm	30 mm	30mm

Features

- Melted iced water can be drained easily so it avoids wet & messy bar counter/table.



THRU COUNTER TOWER FIXING KIT

Part No.	C541	C542	C543
Length	6"	6"	6"
Thread	1" BSP	1-1/2" BSP	2" BSP
Material	Brass	Brass	Brass



LONG U BEND PIPE

Part No.	C435
Material	Stainless Steel 304
Length Size	3/8" OD
Pipe length after bent	15"
Pipe length before bent	30"



C062



C042

SPACER FOR SHANK

Use to increase distance between wall/tower and faucet to allow for larger tap markers.

Part No.	C062	C042	C861	C862	C866	C867
Height	1"	1"	3/4"	3/4"	1/2"	1/2"
Material	Brass	Brass	Brass	Brass	Brass	Brass
Finish	Plated Brass	Gold Plated	Plated Brass	Gold Plated	Plated Brass	Gold Plated



JUG-GROWLER FILLER

Perfect for filling jugs or growlers with beer. Attaches easily to Standard US tap spout.

Part No.	C708
Length	1 Feet (12")
Material	Brass
Finish	Plated Brass

Features

- Fill your growlers with ease.
- Allows beer to be filled from the bottom up, generating less foam.
- Easily fits C201, C203 and all other US Standard faucet.



GROWLER FILLER FOR PERL TAP

Perfect for filling jugs or growlers with beer.

Part No.	C719
Length	1 Feet (12")
Material	Stainless Steel 304



Features

- This filler allows you to fill growlers from the bottom which creates less foam.
- Stainless steel and double oring seals provide a good tight seal to the inside of the faucet preventing messy leaks.
- SS construction means this will last far longer than chrome plated growler fillers.



GROWLER FILLER FOR 630SS & 650SS

Perfect for filling jugs or growlers with beer.

Part No.	C764
Length	1 Feet (12")
Material	Stainless Steel 304



Features

- This filler allows you to fill growlers from the bottom which creates less foam.
- Stainless steel and double oring seals provide a good tight seal to the inside of the faucet preventing messy leaks.
- SS construction means this will last far longer than chrome plated growler fillers.



GROWLER FILLER NOZZLE ONLY FOR 630SS & 650SS FAUCET

Part No.	C764.50
Material	Stainless Steel 304

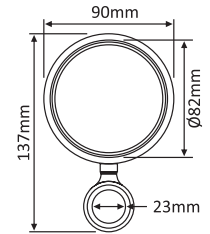




MEDALLIONS

Badge Holders for Beer Towers. Draw Attention to "What's on tap". Fits on American and European Shanks.

Code	C390	C392
Diameter	82mm	82mm
Finish	Plated Brass	Vibrant Gold Color.
Material	Brass	Brass



Features

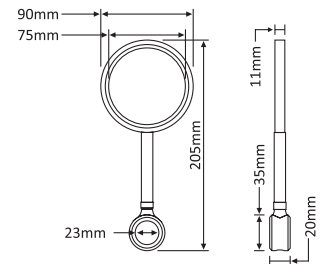
- We can specify the different beer brands by placing stickers on the medallion.



LONG MEDALLIONS

Long Badge Holders for Beer Towers with space constrained or Draw Attention to "What's on tap". Fits on American and European Shanks.

Code	C382	C492
Diameter	82 mm	82 mm
Finish	Plated Brass	Vibrant Gold Color
Material	Brass	Brass



Features

- We can specify the different beer brands by placing stickers on the medallion.



C493

CLEAR FISH EYE MEDALLION -80MM

Part No.	C493
Brand	Without Brand
Feature	Ultra Clear
Material	Polycarbonate



BRANDED FISH EYE MEDALLION -80MM

Part No.	C494	C496
Brand	Stella	Hoegaarden
Feature	Ultra Clear	Ultra Clear



TRANSFORMER FOR ILLUMINATED BEER TOWERS

Part No. **C596**

Features

- Used to illuminate Brand.
- Power 110V.
- CE Approved.



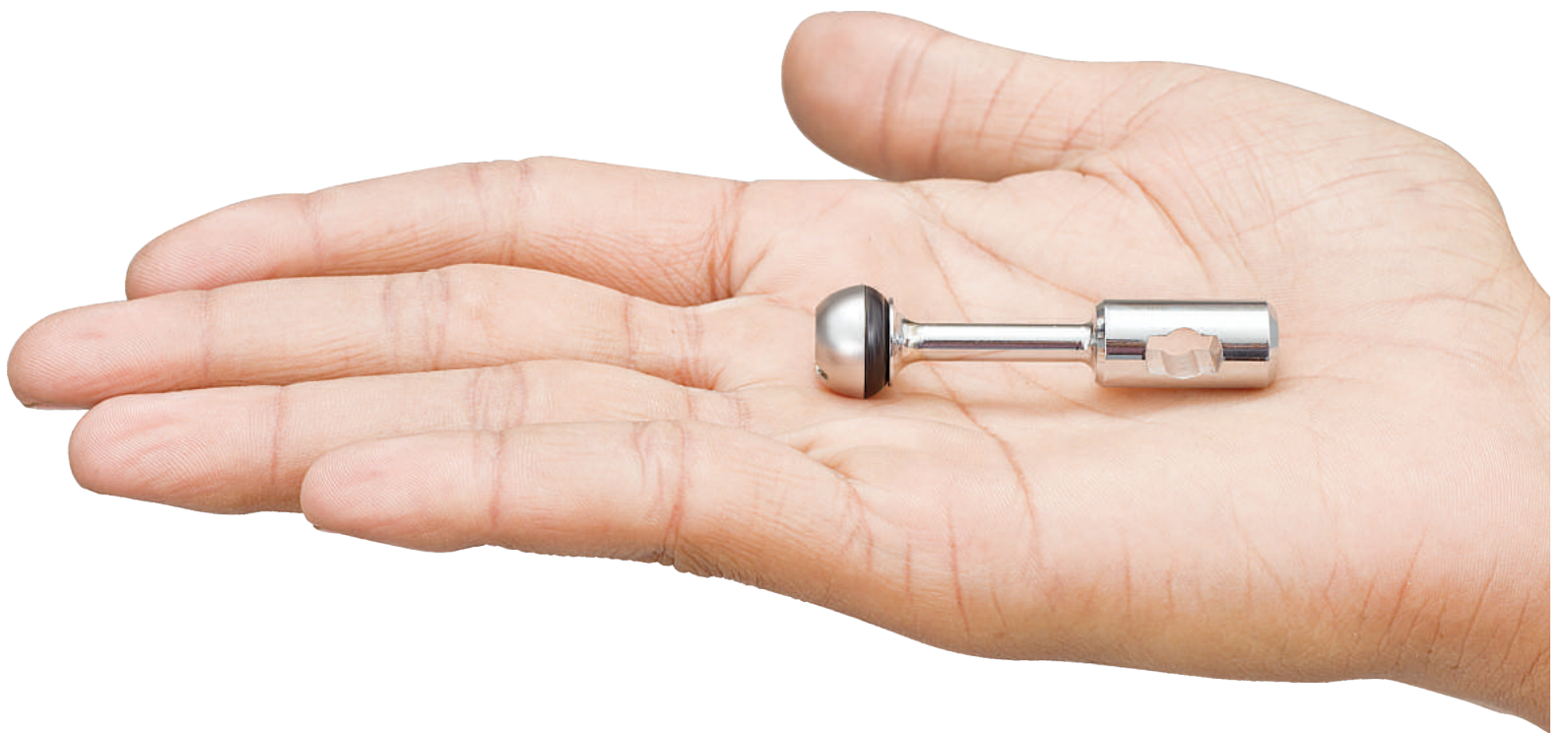
ILLUMINATED MEDALLION CAP FOR 3" DRAFT TOWERS

Part No. **C490**

Features

- Easy to fit.
- Illuminate your existing standard draft tower and give them a new look.
- Custom Logo options.
- Supplied with 110V Adaptor.

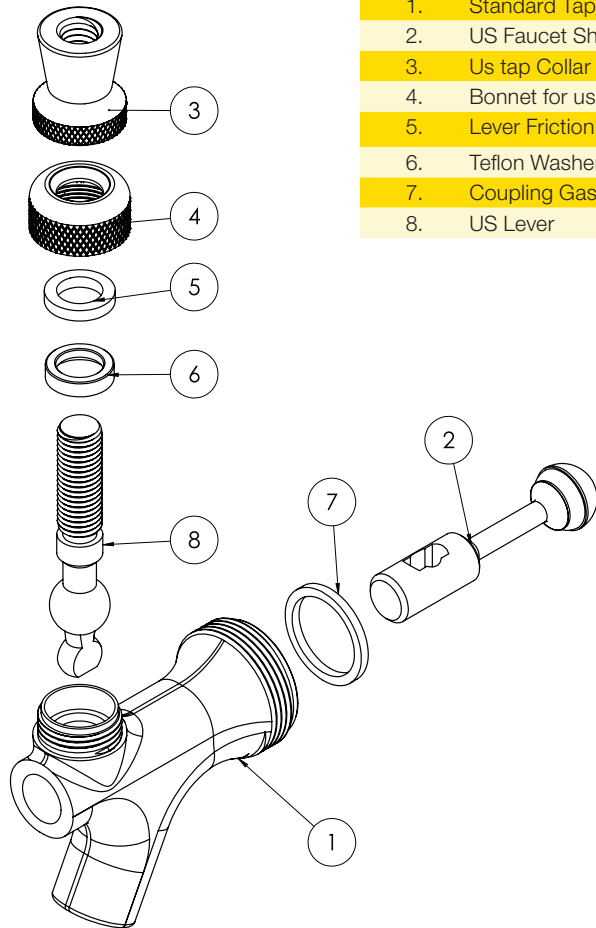
[we
know
taps]





STANDARD BEER FAUCET - US TYPE

Part No.	C201	C202	C203
Faucet Material	Brass	Brass	Stainless Steel 304
Faucet Finish	Plated Brass	Plated Brass	SS Polished
Lever Material	Brass	Stainless Steel	Stainless Steel 303



S.No.	PART NAME	Part No.
1.	Standard Tap Body	C201.01
2.	US Faucet Shaft Assembly	C201.02
3.	Us tap Collar nut	C201.03
4.	Bonnet for us faucet	C201.04
5.	Lever Friction washer	C201.05
6.	Teflon Washer	C201.06
7.	Coupling Gasket	C201.07
8.	US Lever	C245



COUPLING GASKET

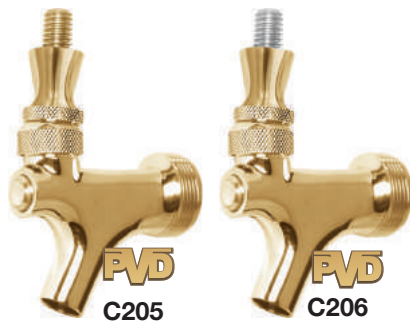
Used in all US Type Faucet with 60 teeth.

Part No. **C201.07**



BEER FAUCET LEVERS

Part No.	C230	C245
Thread	3/8" x 16 UNC	3/8" x 16 UNC
Material	Stainless Steel 304	Brass



GOLDEN BRASS BEER FAUCET - US TYPE

Part No.	C205	C206
Faucet Material	Plated Brass	Plated Brass
Faucet Finish	Vibrant Gold Color	Vibrant Gold Color
Lever Material	Brass	Stainless Steel



100% STAINLESS STEEL BEER FAUCET - US TYPE

Part No.	C008
Faucet Material	Stainless Steel 304
Faucet Finish	SS Polished
Lever Material	Stainless Steel 304



EDGE BEER FAUCET-LONG SPOUT

Part No.	C362
Faucet Material	Stainless Steel 304
Faucet Finish	SS Polished
Lever Material	Stainless Steel 304



New Style Looks Great

100% STAINLESS
STEEL

304 faucets

KROME dispense



C362



STAINLESS STEEL BEER FAUCET - US TYPE (PVD COATED)

Part No. C256
Faucet Material Stainless Steel 304
Faucet Finish Vibrant Gold Color
Lever Material Stainless Steel 304



Features

- Vibrant Gold Color Finish never tarnish like brass.



C117

C211

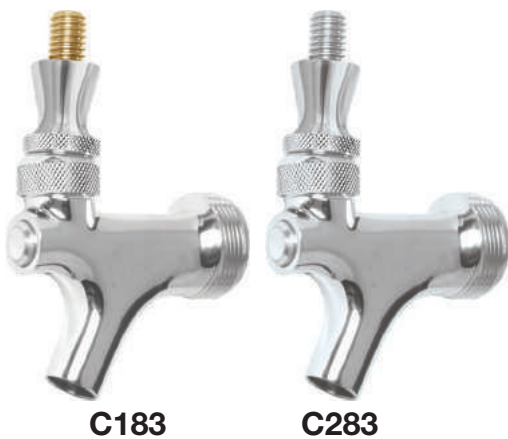
AUTO SHUT MECHANISM BEER FAUCETS - US TYPE

Part No.	C117	C211
Faucet Material	Stainless Steel 304	Brass
Faucet Finish	SS Polished	Plated Brass
Internal Part Material	Stainless Steel 304	



Features

- Shuts itself when you release the handle.



C183

C283

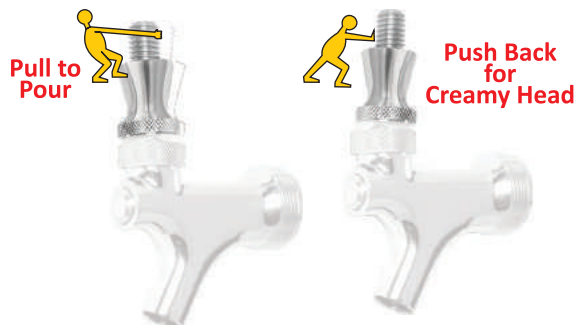
CREAMER ACTION BEER FAUCETS - US TYPE

Part No.	C183	C283
Faucet Material	Brass	Stainless Steel 304
Faucet Finish	Plated Brass	SS Polished
Lever Material	Brass	Stainless Steel 304



Features

Pull & Push mechanism pours the foamy & creamy bearing in yours glass.





PURE . SURE . SS 316

BEER . WINE . CIDER

NEW . ONE . AFFORDABLE .

Krome dispense 

INTRODUCING THE NEW SLEEK DESIGN “EDGE TAP C361 WITH EXTENDED SPOUT”
from kromedispense Precisely made from stainless steel 316 grade, SS 316 grade is
purest and more corrosion resistant grade than SS 304

'Kromedispense' is Registered Trade name of Pacific Merchants, India



EDGE TAP / WINE FAUCET WITH EXTENDED SPOUT

Precisely made from Stainless Steel 316 grade which is purest and more corrosion resistant grade than Stainless Steel 304.

Part No.	C361	C896
Faucet Material	Stainless Steel 316	Stainless Steel 316
Faucet Finish	SS Polished	PVD
Lever Material	Stainless Steel 304	Stainless Steel 304



All Internal Parts are Stainless Steel 316.



FLOW CONTROL FAUCET (RETROFIT ANY US STYLE SHANK)

Part No.	C272	C730
Outlet	10mm	10mm
Faucet Material	Brass	SS 304
Faucet Finish	Plated Brass	SS Polished
Spout Material	SS 304	SS 304



Features

- Adjustable Flow Control Spout.
- Longer spout helps to eliminate foam.
- Traditional European style, Faucet Knob Included.
- Spring Loaded Self Closing Faucet Handle.
- Include creamer action.



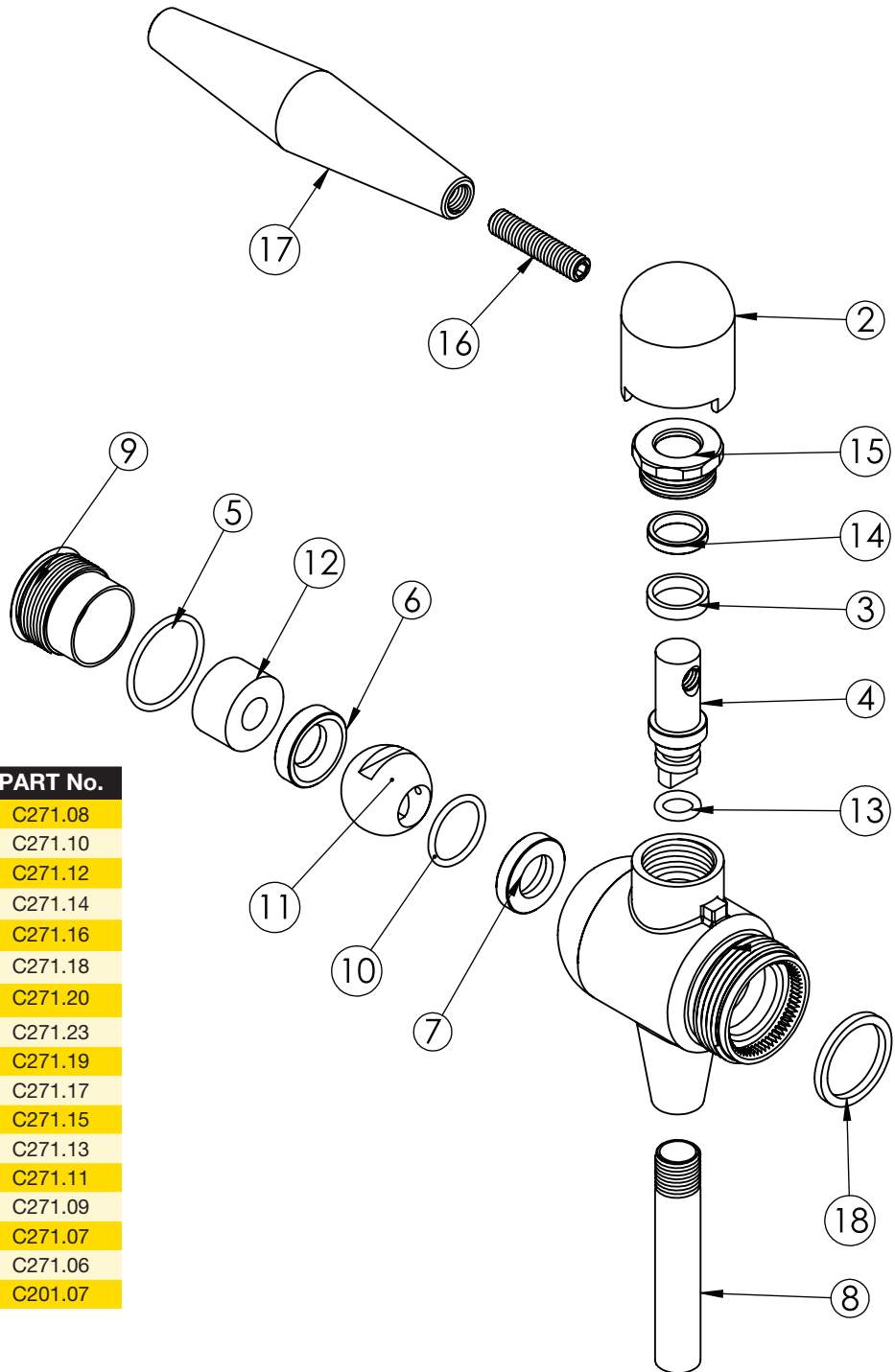
SWING LEVER TAP

Part No. C451
Finish : SS Polished
Material : Stainless Steel 304

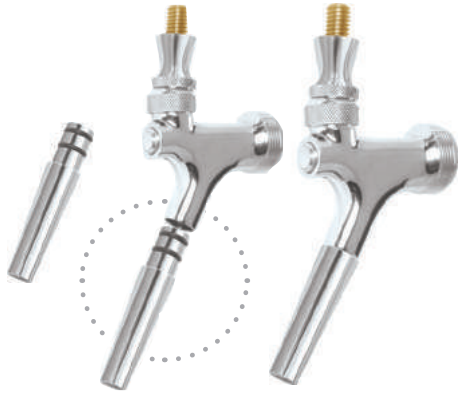
FITS US Shank

Features

- Stainless Steel ball and lever.
- Fits US beer shank (60 teeth)



ITEM NO.	DESCRIPTION	PART No.
2	Handle Cap	C271.08
3	Lever Friction Washer	C271.10
4	Lever	C271.12
5	Ball Lock Nut O-Ring	C271.14
6	Ball Retainer Washer {Nylon}	C271.16
7	Ball Retainer Back	C271.18
8	Spout Extension	C271.20
9	Ball Lock Nut	C271.23
10	Ball Retainer Seat O-Ring	C271.19
11	SS Ball	C271.17
12	Ball Locking Washer	C271.15
13	Lever O-Ring	C271.13
14	Lever Friction Nylon Washer	C271.11
15	Lever Lock Nut	C271.09
16	Handle L-Key Screw	C271.07
17	Swing Lever Cap Handle	C271.06
18	Coupling Gasket	C201.07



FAUCET SPOUT EXTENSIONS

To convert U.S. Faucet spout to European style Faucet Spout.
*Help reduce foam while pouring faster

Part No.	C226	C227
Spout ID	8mm	8mm
Material	Brass	Stainless Steel 304
Finish	Plated Brass	SS Polished



Features

- Help in reducing foam, Pours faster.
- Snug fits in standard US tap spout.

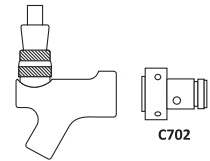


QUICK DISCONNECT BEER TAP CONNECTOR (SHANK)

For use with C121 / C122

Part No.	C702
Bore ID	8mm
Material	Stainless Steel 304
Finish	SS Polished

Without Teeth.

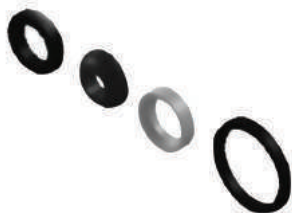


REPAIR KIT FOR EUROPEAN FLOW CONTROL TAP

Part No.	C725
----------	------

Features

- Used in european flow control tap.



REPAIR KIT FOR STANDARD US BEER FAUCET

Part No.	C2500
----------	-------

Features

- Used in standard US beer faucet.
- Replacement parts for better functioning.

C239



stop
unauthorised
 pour of beer
 in Bar, Restaurant and home

***Cost's only few pours :)**

Wrap Around Faucet Lock-with 2 Alike Keys

Fits Standard Beer and Wine Faucets. (taps)

Alike Keys	2 Pcs.
Faucet Lock Material	Brass
Faucet Lock Finish	Plated Brass

Feature

- Tamper proof and extremely easy to install and remove.
- Krome dispense beer faucet lock features brass tumbler.
- Hardened steel locking hasp and locks that are keyed alike.
- Limits beer shrinkage at commercial premises.
- Eliminates underage access to your draft beer setup.





FAUCET LOCK FOR TURBO TAP

Part No.	C739
Alike Keys	2 Pcs.
Faucet Lock Material	Brass
Faucet Lock Finish	Plated Brass



Lock Features

- Tamper-proof and extremely easy to install and remove.
- Krome dispense beer faucet lock features brass tumbler, Hardened.
- Steel locking hasp and locks that are keyed alike.
- Fits Standard Beer and Wine Faucets (faucets).
- Benefits : Limits beer shrinkage at commercial premises.
- Eliminates underage access to your draft beer setup.



SPOUT PLUG FOR FAUCETS

Part No.	C182
Length	1-3/8"
Color	Black

Features

- Fits Standard Beer and Wine Faucets.
- A spout plug is an economical solution for controlling fruit flies, yeast and bacteria build up when the faucet is not in use.



HYGIENE PLUG

Part No.	C545
Total Length	60mm
Brush Wire Material	Stainless Steel 304
Handle Color option	Blue, Green, Flame Orange & Black

Features

- Helps keep beer taps clean.
- Protects taps from fruit flies and contamination when not in use.
- Eliminates the time and waste for wrapping beer taps overnight, as required by health codes.
- Stainless Steel 304 brush wire for long life.
- Fits almost all beer tap types.

Keep your beer **Safe & Hygienic**



PART # C545 Hygiene plug

(Fits almost all beer tap types)

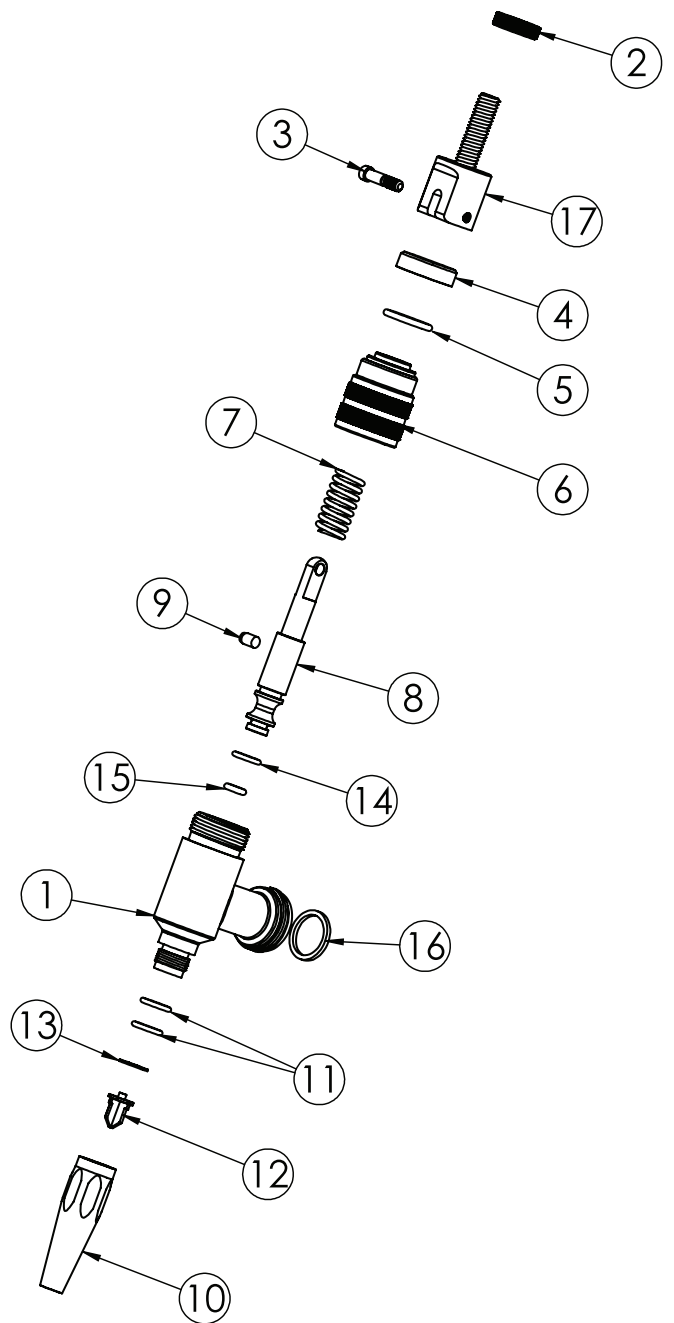
- Helps keep beer taps clean.
- Protects taps from fruit flies and contamination when not in use.
- Eliminates the time and waste of wrapping beer taps overnight, as required by health codes.
- Stainless Steel 304 brush wire for long life.

To know more visit our website
www.kromedispense.com

STOUT / ALE FAUCET

Used for Stout Beers.

Part No.	C257	C457
Faucet Material	Brass	Brass
Faucet Finish	Plated Brass	Vibrant Gold Color
Nozzle	Stainless Steel 304	Stainless Steel 304
Thread	3/8"x16 UNC	3/8"x16UNC
Connection	60 Teeth	60 Teeth
Restrictor Plate	0.5mm Stainless Steel 316	



ITEM NO.	DESCRIPTION	PART No.
1	Housing For Stout Faucet	C257.01
2	Knurled Stop Nut For Stout Faucet	C257.02
3	Screw for Stout Faucet	C257.04
4	Sliding Cap	C257.05
5	Sliding Cap O-Ring	C257.06
6	Brass cap nut	C257.07
7	Spring For Stout Faucet	C257.08
8	Piston For Stout Faucet	C257.09
9	Pin For Stout Faucet	C257.10
10	Leak Out Pipe	C257.12
11	O-Ring 10X2	C257.11
12	Regulation Core	C257.14
13	Jet Disk For Stout Faucet	C257.15
14	Piston Center O-Ring	C257.16
15	Piston Front O-Ring	C257.13
16	Coupling Gasket	C201.07
17	Lever Base with Full Thread Rod	C257.03



GUINNESS FAUCET LOCK

Make your investment secure -just add padlock to lock your tap.

Part No. C710
Material Stainless Steel 304
Finish SS Polished



This lock will not fit standard ale and lager type faucets.

Features

- Durable and easy to use, this stout faucet lock features 2 o-rings to seal the spout, preventing beer from being poured. Use any standard padlock to secure the lock in place.
- Made from Stainless Steel for durability! Built-in o-rings to seal the spout and prevent beer from being poured.
- Accepts standard padlocks.



STANDARD US FOAM/FLOW CONTROL FAUCET WITH SHANK

All Krome beer Faucets are designed to be the best faucets available on the market today. US Faucet with flow control features.

Part No. C204
Faucet Material Forged Brass
Faucet Finish Plated Brass

Features

- Includes knob and 3-1/2" long shank with 5/8" BSP thread.
- Stainless steel wall flange.
- Smooth bore spout and interior to reduce foaming.
- Teflon friction ring for smooth, easy operation.
- Chrome plated Brass forged construction.
- Contact us for custom shank sizes and types.
- Brass or Stainless lever handle.
- Short Shank length also available.



CHROME PLATED BEER SHANK ASSEMBLY - Standard

Assembly includes : Coupling nut, coupling sleeves, Snap ring, Forged Brass locknut & Black plastic flange.

Part No.	C301	C302	C303	C304	C305	C306	C342	C343	C921
Length	2-1/8"	3-1/8"	4-1/8"	5-1/8"	6-1/8"	8-1/8"	10-1/8"	12-1/8"	14-1/8"
Bore ID	1/4"	1/4"	1/4"	1/4"	1/4"	1/4"	1/4"	1/4"	
Thread	5/8"-14 BSP								
Material	Plated Brass								



Part No.	C312	C313	C314	C315	C316	C354	C355	C922
Length	2-1/8 "	3-1/8"	4-1/8"	5-1/8"	6-1/8"	10-1/8"	12-1/8"	14-1/8"
Bore ID	3/16"	3/16"	3/16"	3/16"	3/16"	3/16"	3/16"	3/16"
Thread	5/8"-14 BSP							
Material	Plated Brass							



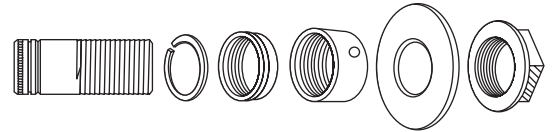


STAINLESS STEEL BEER SHANK ASSEMBLY- STANDARD

Part No.	C212	C213	C214	C234	C425	C928
Length	2"	3-1/8"	4-1/8"	5-1/8"	6-1/8"	8-1/8"
Bore ID	1/4"	1/4"	1/4"	1/4"	1/4"	1/4"
Thread	5/8"-14 BSP					
Material	Stainless Steel 304					



Part No.	C288	C289	C290	C291
Length	2-1/8"	3-1/8"	4-1/8"	5-1/8"
Bore ID	3/16"	3/16"	3/16"	3/16"
Thread	5/8"-14 BSP			
Material	Stainless Steel 304			



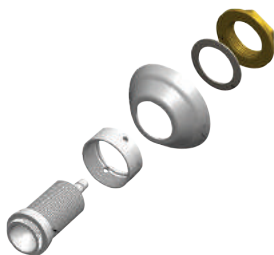
STANDARD WINE SHANKS

Part No.	C346	C347	C348
Length	3-1/8"	4-1/8"	5-1/8"
Bore ID	1/4"	1/4"	1/4"
Thread	5/8"-14 BSP	5/8"-14 BSP	5/8"-14 BSP
Material	Stainless Steel 304	Stainless Steel 304	Stainless Steel 304



STANDARD SS SHANK

Part No.	C356	C357	C358
Length	2-1/8"	2-1/8"	2-1/8"
Bore ID	3/8"	3/8"	1/2"
Thread	5/8"-14 BSP	5/8"-14 BSP	5/8"-14 BSP
Material	Stainless Steel 304	Brass	Stainless Steel 304



NIPPLE SHANK

Part No.	C300	C344
Length	1.75"	1.75"
Bore ID	3/16"	3/16"
Thread	5/8"-14 BSP	5/8"-14 BSP
Material	Brass	Stainless Steel 304
Finish	Plated Brass	SS 304



Features

- Fixed sleeve
- Stainless steel 304 decorative Flange included.
- Forged Brass locking nut.

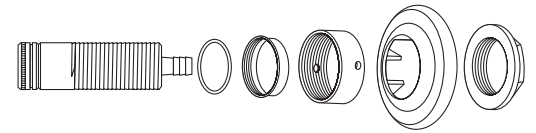
CHROME PLATED BEER SHANK ASSEMBLY - NIPPLE



Part NO.	C318	C319	C320	C327	C349
Length.	2-3/4"	3-1/8"	4-1/8"	5-1/8"	4"
Bore ID	1/4"	1/4"	1/4"	1/4"	1/4"
Thread	5/8"-14 BSP				
Material	Plated Brass				



Part No.	C330	C322	C323	C324	C326
Length.	2-3/4"	2-1/2"	3-1/2"	4-1/2"	5-1/2"
Bore ID	3/16"	3/16"	3/16"	3/16"	3/16"
Thread	5/8"-14 BSP				
Material	Plated Brass				



CHROME PLATED BRASS ELBOW SHANK ASSEMBLY

Part No.	C426
Length	3-1/8"
Bore ID	3/16"
Thread	5/8"-14 BSP
Material	Plated brass shank with Stainless Steel 304 elbow



C339



C321

COLUMN SHANK ASSEMBLY

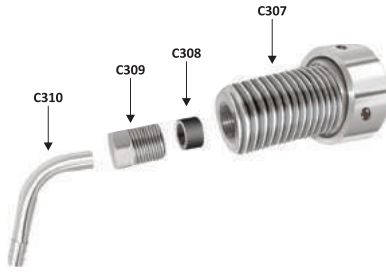
Part No.	C328	C332	C329	C339
Length	1.75"	1.75"	1.75"	1.75"
Bore ID	3/16"	1/4"	3/16"	1/4"
Thread	5/8"-14 BSP			
Material	Brass	Brass	Brass	Brass
Finish	Plated Brass	Plated Brass	Vibrant Gold Color	Vibrant Gold Color

Part No.	C321	C331	C336	C337
Length	1.75"	1.75"	1.75"	1.75"
Bore ID	1/4"	3/16"	3/16"	1/4"
Thread	5/8"-14 BSP			
Material	Stainless Steel 304	Stainless Steel 304	Vibrant Gold Color	Vibrant Gold Color
Finish	SS Polished	SS Polished	Vibrant Gold Color	Vibrant Gold Color



Features

- Chrome Plated Brass Shank with Stainless Steel.
- 304 grade Elbow soldered into shank.
- *Coupling Nut & Tower Flange are Vibrant Gold Color.



COMPRESSION SHANK ASSEMBLY

Part No.	C307	C308	C309	C310
Product	Shank Assembly	Shank Grommet	Compression Nut Male	Gooseneck Elbow
Bore ID	1/4"	3/16"	1/4"	3/16"
Material	Brass	NBR	Brass	Stainless Steel 304
Finish	Plated Brass	Black	Plated Brass	SS Polished



PERLICK THREAD IN SHANK ASSEMBLY

Part No.	C311	C341
Length	1.6"	1.6"
Bore ID	8mm	8mm
Thread	5/8"-14 BSP	
Material	Brass	Stainless Steel 304
Finish	Plated Brass	SS Polished



Features

- O-Ring Included.
- Replacement shank for Perlick Tower.



FAUCET PLUG

Need to seal a shank when the faucet is removed. Perfect for draft beer trailers when securing for storage or travel. Same threads as faucet.

Part No.	C130
Material	Brass
Finish	Brass
Thread	1-1/8" x 18 UNEF

Features

- Fits all beer and wine shanks.



REPLACEMENT PLASTIC DECORATIVE FLANGE FOR SHANKS

Part No.	C018
Material	Plastic
Finish	Black

Features

- It is used in shanks.



STAINLESS STEEL FLANGE

Part No. C127
Material Stainless Steel 304
Finish SS Polished



Features

- It is used in shanks.



LOCKING FLANGE FOR WALL SHANK ASSEMBLY

Part No. C126
Thread 5/8" -14 BSP
Material Brass
Finish Brass

Features

- This can be easily upgrade, screw the flange into to a wall & prevent your beer shank & faucet from rotating with a set screw.

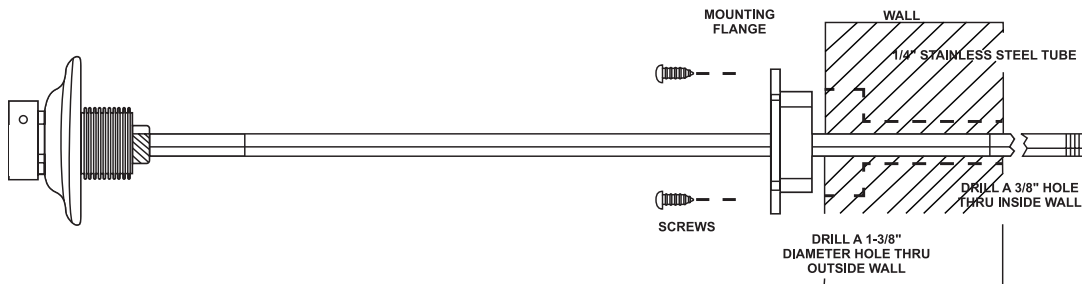


C125

WALL MOUNTABLE SHANK ASSEMBLY

Good for cold rooms / tap rooms. Dispense thru the wall.

Part No. C125
Length 24 Inch
Bore ID 3/16"
Thread 5/8"-14 BSP
Material Brass
Finish Plated Brass





C184/C186

C185

C885

STANDARD FAUCET KNOBS

Tap Handle - Generic draft beer tap handle for use on jockey boxes and rental equipment, Beer tap etc.

Part No.	C184	C185	C186	C885
Type	With Brass Insert	-	Without Brass Insert	-
Thread	3/8"x16 UNC	3/8"x16 UNC	3/8"x16 UNC	3/8"x16 UNC
Material	Plastic	Brass	Plastic	Brass
Finish	Black	Plated Brass	Black	Vibrant Gold Color



C190

LONG HANDLE - FOR STANDARD U.S. FAUCET

Part No.	C190
Thread	3/8"x16 UNC
Material	Brass
Finish	Plated Brass
Length	150mm

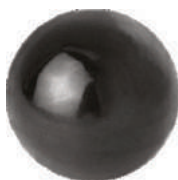


FAUCET KNOB FOR EUROPEAN FLOW CONTROL TAP

Part No.	C697
Thread	3/8"x16 UNC
Material	Plastic
Finish	Black

Feature

- For perfectly fits Tap C272 & C730 and Other Similar style taps.



BALL KNOB FOR STANDARD U.S. FAUCETS / BEER PUMPS

Part No.	C120
Diameter	32mm
Thread	3/8"x16 UNC
Material	Plastic



C012

C013

MARBLE TAP HANDLE - WITH BRASS INSERT

Part No.	C012	C013
Height	3.25"	3.25"
Thread	3/8"x16 UNC	3/8"x16 UNC
Material	Marble	Marble
Colour	Green	Brown

As product is made from natural stone so there might be slight variation in colors and texture.



GOLF BEER TAP HANDLE

Part No.	C019
Height	5"
Thread	3/8"x16 UNC
Material	Brass
Finish	Plated Brass



C668 C669 C670 C671 C672 C673

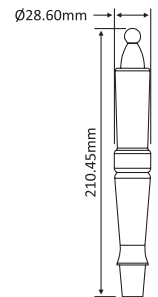


C690 C691 C692 C693 C694 C695

MINI PUB STYLE HANDLE

Part No.	C668	C669	C670	C671	C672	C673
Handle Color	Navy Blue	White	Red	Black	Green	Yellow
Length	217 mm					
Thread	3/8"x16 UNC					
Material Handle	Wood					
Material Finial & Ferrule	Brass					
Finish Finial & Ferrule	Vibrant Gold Color					

Part No.	C690	C691	C692	C693	C694	C695
Handle Color	Navy Blue	White	Red	Black	Green	Yellow
Length	217 mm					
Thread	3/8"x16 UNC					
Material Handle	Wood					
Material Finial & Ferrule	Brass					
Finish Finial & Ferrule	Plated Brass					



C674 C675 C676 C677 C678 C679

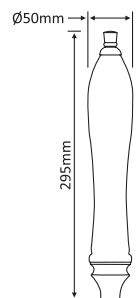


C680 C681 C682 C683 C684 C685

PUB STYLE HANDLE

Part No.	C674	C675	C676	C677	C678	C679
Color	Navy Blue	White	Red	Black	Green	Yellow
Length	310mm					
Thread	3/8"x16 UNC					
Material Handle	Wood					
Material Finial & Ferrule	Brass					
Finish Finial & Ferrule	Vibrant Gold Color					

Part No.	C680	C681	C682	C683	C684	C685
Handle Color	Navy Blue	White	Red	Black	Green	Yellow
Length	210mm					
Thread	3/8"x16 UNC					
Material Handle	Wood					
Material Finial & Ferrule	Brass					
Finish Finial & Ferrule	Plated Brass					



PLASTIC TAP HANDLE WITH FERRULE AND FINIAL

Choose separate handle colors to differentiate every beer flavour.
Standard US 3/8 UNC beer tap lever thread.



Part No.	C263	C264	C265	C266	C267	C268	C469
Color	Black	Red	Blue	Yellow	Green	White	Orange
Length	5"						
Thread	3/8"x16 UNC						
Material Handle	Plastic						
Material Finial & Ferrule	Brass						
Finish Finial & Ferrule	Plated Brass						

Features

- Special colour handle can be made on minimum order quantity of 500pcs.
- Different Colours Available.
- Plastic Tap Handle with silver finial and Ferrule.
- A sleek look on your home kegerator-with keg tap handle.

PLASTIC TAP HANDLE WITH BADGE HOLDER

A sleek look on your home kegerator - or commercial bar.
Standard US 3/8" x 16 UNC beer tap lever thread.



Part No.	C371	C372	C373	C374	C375	C376	C470
Color	Black	Red	Blue	Yellow	Green	White	Orange
Length	5"						
Thread	3/8"x16 UNC						
Material Handle	Plastic						
Material Finial & Ferrule	Brass						
Finish Finial & Ferrule	Plated Brass						

Features

- Plastic tap handle with silver finial and Ferrule.
- A sleek look on your home kegerator with keg & tap handle.



PUB STYLE HANDLE
with Round Plate

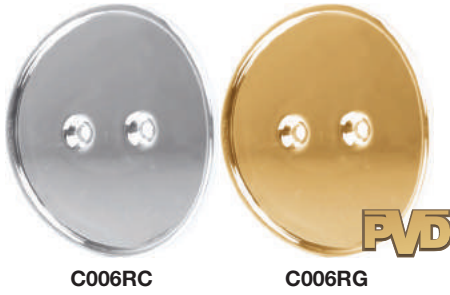


PUB STYLE HANDLE
with Disc Ferrule



PUB STYLE HANDLE
with Oval Plate

Add choice of **Medallions** to **Tap Handles** from a variety of **Round, Oval in Chrome Plated & Vibrant Gold Color.**
Add **Disc Ferrule** to **Tap Handles** in **Chrome Plated & Vibrant Gold Color.**



ROUND PLATE FOR TAP HANDLES

Part No.	C006RC	C006RG
Plate Inner Diameter	75mm	75mm
Material	Brass	Brass
Finish	Plated Brass	Vibrant Gold Color



OVAL PLATE FOR TAP HANDLES

Part No.	C007OC	C007OG
Dimensions	85X60mm	85X60mm
Material	Brass	Brass
Finish	Plated Brass	Vibrant Gold Color



DISC FERRULE FOR TAP HOLDER

Draws attention to "what's on tap".
Fits in **Pub Style Handle** (C680-685 & C674-679).

Part No.	C709	C722
Material	Brass	Brass
Finish	Plated Brass	Vibrant Gold Color



Features

- Used in tap handles.



TAP HANDLE FINIAL - STANDARD

Part No.	C241	C242
Height	1.25"	1.25"
Width	0.75"	0.75"
Thread	5/16" BSW	5/16" BSW
Material	Brass	Brass
Finish	Plated Brass	Vibrant Gold Color

Features

- Used in tap handles.



C689



C688

TOP HAT FINIAL

Part No.	C688	C689
Thread	5/16"x 18 BSW	5/16"x 18 BSW
Material	Brass	Brass
Finish	Vibrant Gold Color	Plated Brass

Features

- Used in tap handles.



C243



C244

BEER TAP HANDLE FERRULE

Part No.	C243	C244	C417	C816
Height	1"	1"	1"	1"
Width	0.75" (3/4")	0.75" (3/4")	0.75" (3/4")	0.75" (3/4")
Top Thread	5/16" BSW	5/16" BSW		
Bottom Thread	3/8"x16 UNC	3/8"x16 UNC		
Thru Thread			3/8"	3/8"
Material	Brass	Brass	Brass	Brass
Finish	Plated Brass	Vibrant Gold Color	Plated Brass	Vibrant Gold Color

Features

- Fits standard beer tap lever.



C686



C687

BEER TAP HANDLE FERRULE

Part No.	C686	C687
Thread	3/8"x16 UNC	3/8"x16 UNC
Material	Brass	Brass
Finish	Plated Brass	Vibrant Gold Color

Features

- Fits standard beer tap lever.



REPLACEMENT BOLT FOR WOODEN BEER TAP HANDLE

Simply screw the wood threads into the bottom of the handle, leaving the machine thread portion exposed for attaching a ferrule.

Part No.	C696
Size	1-1/2" Long
Thread	5/16" BSW x Wood Screw
Material	Zinc Plated Steel

Features

- Wood threads on one end and machine screw threads on the other.
- Restores broken or damaged wooden tap handles easily.
- Pack of 100 Pieces.



Hardware to create
your own Tap handles



TAP HANDLE INSERT (EPOXY)

For making custom tap handles.

Part No.	C284
Thread	3/8"x16 UNC
Material	Brass
Finish	Brass

Features

- For making custom tap handle.



TAP HANDLE INSERT

For making custom tap handles.

Part No.	C984
Thread	3/8"x16 UNC
Material	Brass
Finish	Brass

Features

- For making custom tap handle.



C119

C419

FAUCET COUPLING NUTS

Part No.	C119	C419
Material	Brass	Brass
Finish	Plated Brass	Vibrant Gold Colour

Features

- For use on standard Faucet 4 holes to accommodate faucet wrench.



C128

C528

FAUCET HANDLE EXTENSIONS

Part No.	C128	C528
Thread Size	3/8"x16 UNC	3/8"x16 UNC
Size	2"	1"
Material	Brass	Brass
Finish	Plated Brass	Plated Brass

Features

- Add variety to the height of Tap Handles.



C129

C829

FAUCET HANDLE ANGLER - TAP MARKER

Long tap handles hitting the wall

The Tap Marker Angler screws on top of any standard faucet, allowing the tap handle to be in an upright (vertical) position.

Part No.	C129	C829
Material	Brass	Brass
Thread Size	3/8"x16 UNC	3/8"x16 UNC
Finish	Plated Brass	Vibrant Gold Color



All drip trays are made of
Stainless Steel 304 grade
or better Materials.



C619



C958



C958



C958

WALL MOUNT DRIP TRAYS

Part No.	C602	C608	C646	C609	C612	C619
Size (LxW)	6"x6"	4"x6"	4"x4.5"	10"x6"	12"x6"	14"x6"
Type	No Drain					
Material	Stainless Steel 304					
Finish	Brushed					



Part No.	C630	C631	C809
Size (LxW)	6"x6"	16"x6"	6"x4"
Type	With Drain		
Material	Stainless Steel 304		
Finish	Brushed		



C602

Features

- Solid 1.2mm Stainless steel 304 construction.
- C958 Included

SURFACE DRIP TRAYS

Part No.	C613	C614	C615	C616	C617	C618	C620
Size (LxW)	12"x5"	16"x5"	18"x5"	20"x5"	24"x5"	30"x5"	36"x5"
Type	With Drain						
Material	SS 304						
Finish	Brushed						



Part No.	C624	C625	C626	C627
Size (LxW)	12"x8"	18"x8"	12"x8"	18"x8"
Type	With Drain	With Drain	No Drain	No Drain
Material	SS 304			
Finish	Brushed			



Part No.	C606	C607	C611	C632	C817	C818	C819
Size (LxW)	12"x5"	14"x6"	6"x5"	12"x6"	24"x5"	30"x5"	36"x5"
Type	No Drain						
Material	SS 304						
Finish	Brushed						



Features

- Solid 1.2mm Stainless steel 304 construction.
- C958 Included.

TAPER EDGE DRIP TRAY-COUNTER TOP

Part No.	C628	C629
Size (LxW)	9 x 6.5"	16 x 6.5"
Type	With Drain	
Material	SS 304	
Finish	Brushed	



Features

- Solid 1.2mm Stainless steel 304 construction.
- C958 Included.



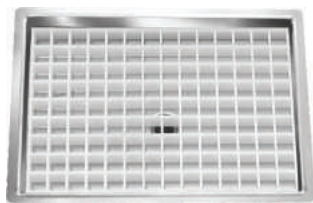
C604



C633



C610



C954



C029

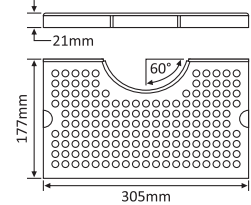
CUT-OUT SURFACE DRIP TRAY

Code.	C604	C633	C605	C634
Size (LxWxH)	12"x7"x3/4"	12"x7"x3/4"	12"x7"x3/4"	12"x7"x3/4"
Type	No Drain	No Drain	With Drain	With Drain
Material	Stainless Steel 304	Stainless Steel 304	Stainless Steel 304	Stainless Steel 304
Finish	Brushed	Vibrant Gold Color	Brushed	Vibrant Gold Color



Features

- Solid 1.2mm Stainless steel 304 construction.
- With drain drip tray included drain assembly C958.



FLUSH MOUNTED DRIP TRAY

Part No.	C139
Size (LxW)	12"x5"
Type	With Drain
Material	Stainless Steel 304
Finish	Brushed



Features

- C610 Included

FLANGED MOUNT DRIP TRAY

This stainless steel drip tray mounts right into your counter top and looks great! the drain hole is right in the center of the tray and a drain fitting is included. All you need to do is attach a piece of hose to it and run the tubing to your drain. Your counter top must be cut to tray dimensions given for proper mounting. Comes without plastic grate.

Part No.	C622	C623
Size (LxWxD)	8-1/8"x5-3/8"x3/4"	14-1/8"x5-3/8"x3/4"
Type	With Drain	With Drain
Material	Stainless Steel 304	Stainless Steel 304
Finish	Brushed	Brushed
Drain Size	1/2" BSP	1/2" BSP
Drain Material	Brass	Brass

Features

- C954 Included

SIDE SPRAY GLASS RINSER TRAY / OVER COUNTER

Part No.	C359	C460	C461	C462	C463
Size (LxW)	20"x7"x7/8"	24"x7"x7/8"	30"x7"x7/8"	36"x7"x7/8"	45"x7"x7/8"
Rinsing Assembly	Plated Brass				
Material	Stainless Steel 304				
Finish	Brushed				

Features

- With Side Sprayer.
- C029 Included.



C029

CENTER SPRAY GLASS RINSER TRAY-UNDER COUNTER/OVER COUNTER

Part No. C464
Size (LxW) 8"x8"x7/8"
Rinser Assembly Plated Brass
Material Stainless Steel 304
Finish Brushed

Features

- With Sprayer.
- C029 Included



C029

CENTER SPRAY GLASS RINSER TRAY

Part No.	C465	C466
Size (LxW)	10"x7"x7/8"	15"x7"x7/8"
Rinser Assembly		
Material		
Finish		

Features

- With Sprayer.
- C029 Included



C029

DOUBLE SIDE HOLE SPRAY RINSER ASSEMBLY

Part No C639
Length 45" x 7" x 7/8"

Designed Innovation by Krome.

Features

- Designed Innovation by Krome.
- **Double side rinsing** help servers to rinse glass with more efficiently.

PAT. Pending



SPRAY ASSEMBLY-INCLUDE INSTALLATION FITTINGS

Part No. C334.04
Disc Material Plastic

Features

- It is used in all rinser trays & Milk pitcher rinser.



1/2" BSP CONNECTOR WITH 3/8"OD X5 FEET HOSE

Code C029
Connector 3/8"x1/2" BSP
Hose Length 5 Feet

Features

- It is used in Pitcher Rinser.



C641



C642

ALUMINIUM SURFACE DRIP TRAY

Part No.	C641	C642
Size (LxW)	12"x7"	12"x7"
Tray Base	Aluminium	Aluminium
Top Grate Material	Stainless Steel 304	Stainless Steel 304
Finish	Vibrant Gold Color	Brushed



C958

SHANK MOUNTED DRIP TRAY

Brass Drain Assembly included.

Part No.	C138
Size (LxWxH)	8"x6"x3/4"
Mounting Height	14"
Type	With Drain
Material	Stainless Steel 304
Finish	Brushed



Features

- It is used in Pitcher Rinser.
- C958 Included.



GLASS RINSER DRIP TRAY - UNDER COUNTER

Rinse away any impurities that might be in the glass. Chill the glass utilizing cold water. A wetted glass pours better.

Part No.	C360
Overall Size (LxW)	11-3/8"x6-3/8"
Intel Size	1/2" BSP (External)
Outlet Size	3-1/2"x1/2"
Glass Rinser Area (LxW)	6-3/8"x6-3/8"
Mount Area (LxW)	5"x6-3/8"
Type	With Drain
Material	Stainless Steel 304
Finish	Brushed



RECESSED/OVERCOUNTER DRIP TRAY

Code	C064
Length	8"
Width	7"
Size	18x21x3 cm
Material	Stainless Steel 304
Finish	Brushed



Features

- The use of these metal drip trays is for handling of Spills/Drips under draft beer tower.
- Glossy & durable construction finish.
- These over counter drip trays allow easy cleaning by just using a soft cloth & normal cleaner support.
- Hole for easy removable of Grit.



GLASS RINSER SPRAY ASSEMBLY

Used in Glass Rinser Drip Tray (C360).

Part No.	C360.50
Plate Diameter	6-3/8"
Intel Size	1/2" BSP (External)
Plate Material	Stainless Steel 304
Plate Finish	Brushed
Stem Material	Stainless Steel 304
Barb Material	Brass

Features

- Used in glass rinser drip tray.
- Rinses away impurities that might be in the glass.



STANDARD DRAIN NIPPLE & NUT

Suitable for Drip Trays with Drain (C139)

Part No.	C610
Thread	1/2" x 14" IPS
Material	Brass
Finish	Plated Brass



STANDARD DRAIN NIPPLE ASSEMBLY (REPLACEMENT)

For use with most beer drip trays with drain.

Code	C958	C959	C141
Length	3-1/2"	6"	8"
Thread	5/8"-18	5/8"-18	5/8"-18
Material	Brass	Brass Brass	

Features

- This allows for auto draining of over spills.
- Easy to install.
- Included locking nut & gasket.



DRAIN ASSEMBLY

Replacement for any drip tray
Complete with locknut and Washer.

Part No.	C953	C954	C955
Length	1"	2"	4"
Thread	1/2" NPT	1/2" NPT	1/2" NPT
Material	Brass	Brass	Brass
Finish	Brass	Brass	Brass

Features

- This allows for auto draining of over spills.
- Easy to install.
- Included locking nut & gasket.

Single & Double Faucet Jockey Box Coil Cooler.

Insulated Ice Box



C801/C149

JOCKEY BOXES

- Coil Size** 50ft.x5/16" OD
- Capacity** 24 Qt.
- Coil Material** Stainless Steel 304



Feature

- Faucet and Knob Included.
- Great for mass / event dispensing.



C801



C149



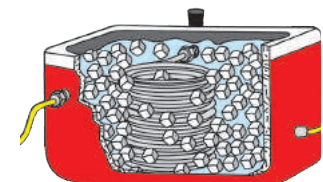
C803

DOUBLE FAUCET JOCKEY BOX WITH 100% SS304 CONTACT

Part No.	C803	C4103	C4104
Coil Size	100ft x 3/8" & 20ft x 1/4" OD		
Taps	2 Taps	3 Taps	3 Taps
Taps Material	Stainless Steel 304	Stainless Steel 304	Brass

Features

- All SS 304 contact.
- Comes with 120 ft coil.
- On wheel : You can take it wherever you go.
- 54 Quarts (Bigger size= More ice/More cooling).
- Included C224 and C255.



To know more visit our website
www.kromedispense.com



COOLING COIL

Part No.	C220	C224	C250
Tube Size	50ft x 5/16" OD	100ft x 3/8" OD & 20 ft x1/4" OD	70ft x 3/8" OD & 20ft x 1/4" OD
Coil Type	Left Hand	Left Hand	Left Hand
Coil Diameter	5.25"	9-1/2"	9-1/2"
Coil Height	6.75"	10"	8"
Material	Stainless Steel 304	Stainless Steel 304	Stainless Steel 304



Part No.	C255
Coil Type	Right Hand
Tube Size	100ft x 3/8" & 20ft x 1/4" OD
Coil Diameter	9-1/2"
Coil Height	10"
Material	Stainless Steel 304

Features

- Including Grommets, Ferrules and Hex Nut fittings for easy connection to shanks.



WALL COUPLING - FOR BEER COIL COOLER

Ice Box assembly Part.

Part No.	C131	C132	C145	C770
For Assembly	4.5" with 3/8" Bore ID	3" with 5/16" Bore ID	3" with 5/16" Bore ID	4.5" with 3/8" Bore ID
Material	Brass	Brass	Stainless Steel 304	Stainless Steel 304
Finish	Plated Brass	Plated Brass	SS Polished	SS Polished
Thread	5/8"-14 BSP			



FERRULES

Ice Box assembly Part.

Part No.	C207	C208	C216
Bore ID	1/4"	5/16"	3/8"
Material	Brass	Bras	Brass
Finish	Plated Brass	Plated Brass	Plated Brass

Features

- Roll on Ferrule.
- Connection type clamp.

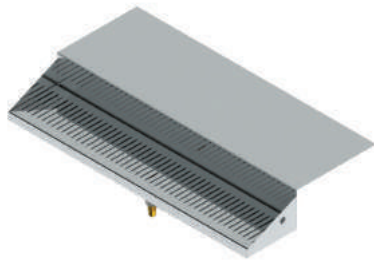


GROMMET FOR STAINLESS STEEL COOLING COIL

Part No.	C106	C107	C108
Bore ID	1/4"	5/16"	3/8"
Material	Rubber	Rubber	Rubber
Finish	Black		

Features

- Resistance to abrasion.
- Durability.
- Wear & Tear resistant.

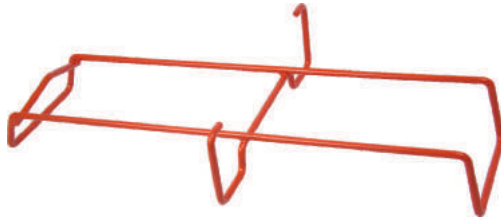


JOCKEY BOX DRIP TRAY

For use on standard faucet , 4 Holes to accommodate faucet wrench.

Part No.	C640	C824
Size (LxWxH)	12"x6"x3/4"	24"x5x3/4"
Material	Stainless Steel 304	Stainless Steel 304
Finish	Brushed	Brushed





COLD PLATE RACK

Part No. C800
Fits Plate 10"x15"
Material Powder Coated Steel

Features

- Vinyl coated cold plate.
- Beer Jockey Box rack.
- This jockey box cold plate rack is designed to keep the cold plate out of water.



COLD PLATE FITTING

Part No. C262
Connection Type Cold Plate x Thread Hex Nut
Thread 1/2"x16 x 7/8"x14 (5/8" BSP)
Material Brass
Finish Brass

Features

- 5/8"x1/2" MFL fitting.
- Brass fitting for cold plate.
- Threaded on both ends.



COLD PLATE FITTING

Part No. C231
Size Fitting OUT Bore ID 3/16"
Operation From cold plate to faucet shank assembly
Material Stainless Steel 304
Thread Size 1/2" x 16 BSF



Features

- Stainless steel liquid in fitting for cold plates.
- Threaded on one end.

C232

Fitting in Barb OD 3/8"
 From Keg couper to cold plate
 Stainless Steel 304



3/8" ID HOSE SS CONTACT BEER NUT ON BOTH ENDS 6 FEET LONG

Part No. C4162
Size 3/8" ID
Length 6 Feet



Quick leak proof
Installation



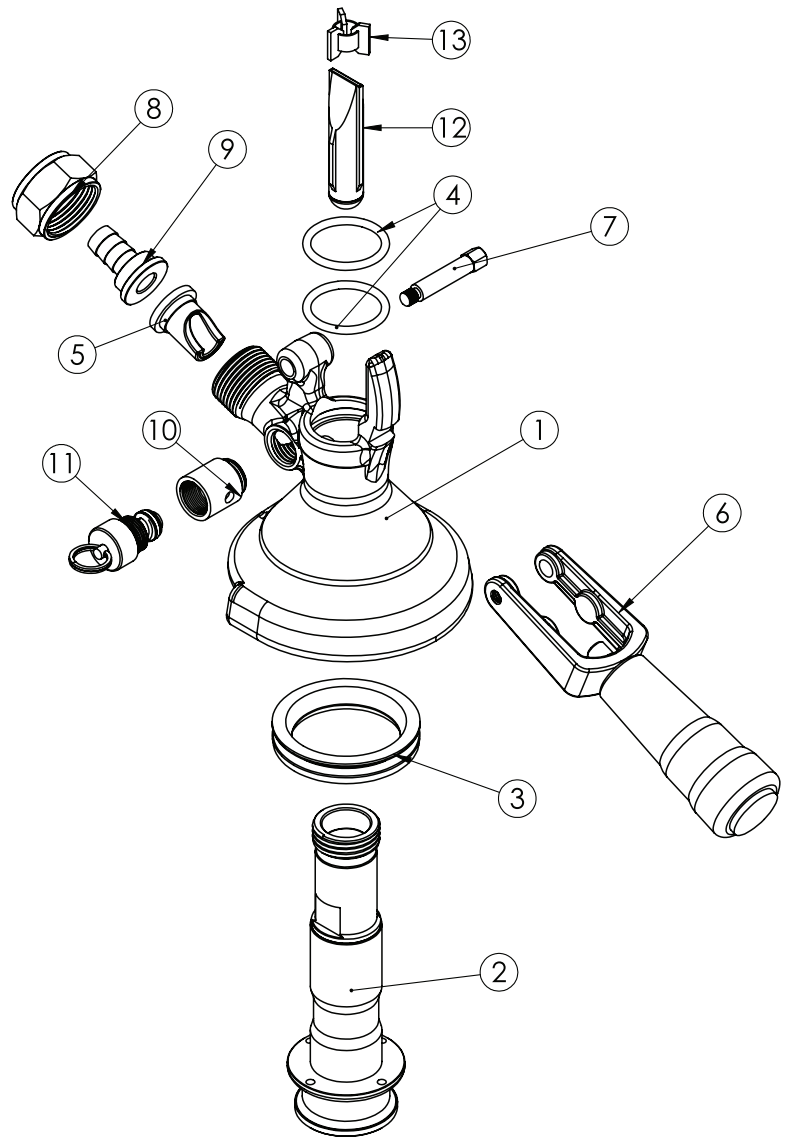
A SYSTEM

A SYSTEM KEG COUPLER

- Part No.** **C723**
- Type** A System
(European Sankey)
- Pressure Release**
- Valve (PRV)** With PRV
- Sight Glass** Without Sight Glass
- Probe Thread** 5/8-14"
- Probe Material** Stainless Steel 304
- Body Material** Brass
- Finish** Plated Brass
- Handle Type** Sleek

A
System

Used for most German beers. Slide on Keg connection



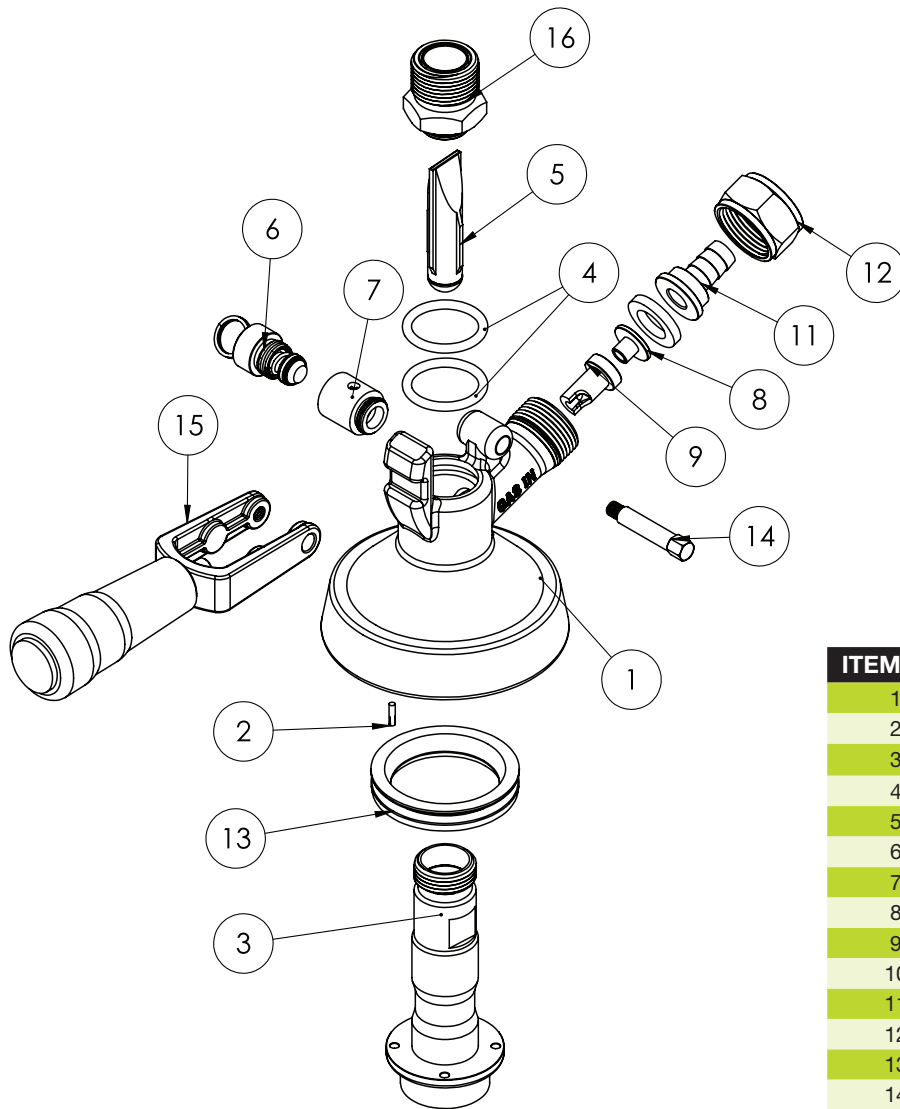
ITEM NO.	DESCRIPTION	PART No.
1	A System Body With PRV	C723.01
2	A System Prob	C716.02
3	Shanky Bottem Seal	C716.03
4	A System Body O-Ring	C716.07
5	Check Valve	C704.08
6	Short Handle	C704.10
7	Handle Hinge Pin	C704.09
8	BEER HEX NUT	C181
9	TAIL PIECE 5/16"	C103
10	PRV Holder	C804.02
11	Prv	C712.13
12	Torpedo	C712.09
13	Check Ball Retainer	C704.06



C715

G SYSTEM KEG COUPLER

- Part No.** **C715**
- Type** G System
(European Sankey)
- Pressure Release**
- Valve (PRV)** With PRV
- Probe Thread** 5/8-14"
- Probe Material** Stainless Steel 304
- Body Material** Brass
- Finish** Plated Brass
- Handle Type** Sleek
- Handle Colour** Black , Red and Yellow



ITEM NO.	DESCRIPTION	PART No.
1	G System Body	C715.01
2	G System Body Pin	C715.02
3	G System Probe	C715.03
4	D System Party Pump Body O-Ring	C385.03
5	Torpedo	C712.09
6	Prv	C712.13
7	PRV Holder	C804.02
8	Retainer	C712.11
9	Duck Bill Valve	C712.12
10	Neoprene Washer	C116
11	Tail Piece 5/16"	C103
12	Beer Hex Nut	C181
13	Shanky Bottem Seal	C716.03
14	Handle Hinge Pin	C704.09
15	Short Handle	C704.10
16	Thread converter	C713



U SYSTEM KEG COUPLER WITH PRV

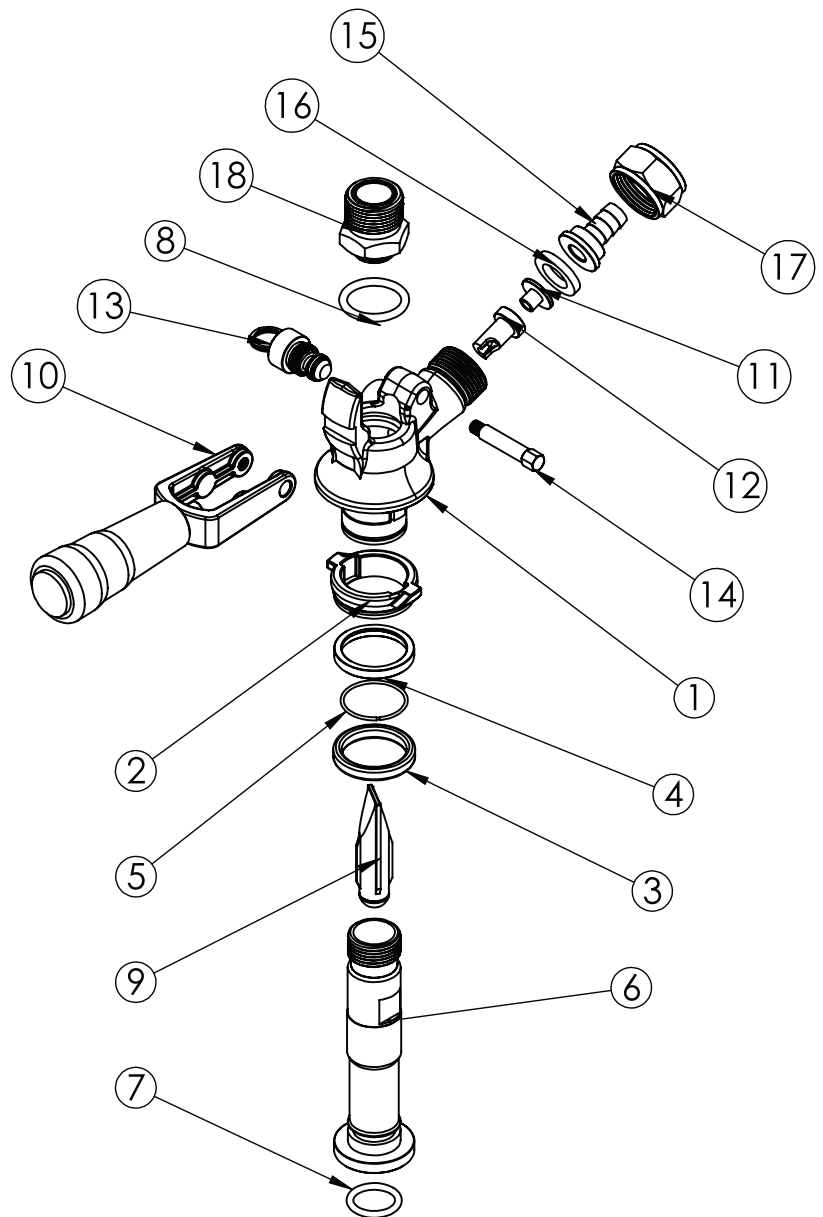
Part No.	C712
Handle Color	Black
Handle Style	Pull Lever Handle
Gas Port	3/8" O.D. Barb (To fit 5/16" I.D. Gas Hose)
Beer Port	7/8"-14 Thread (U.S. Beer Industry Standard)
Probe Thread with Connector	5/8"-14 BSP
Probe Material	SS 304
Finish	Stainless Steel

U

System

Features

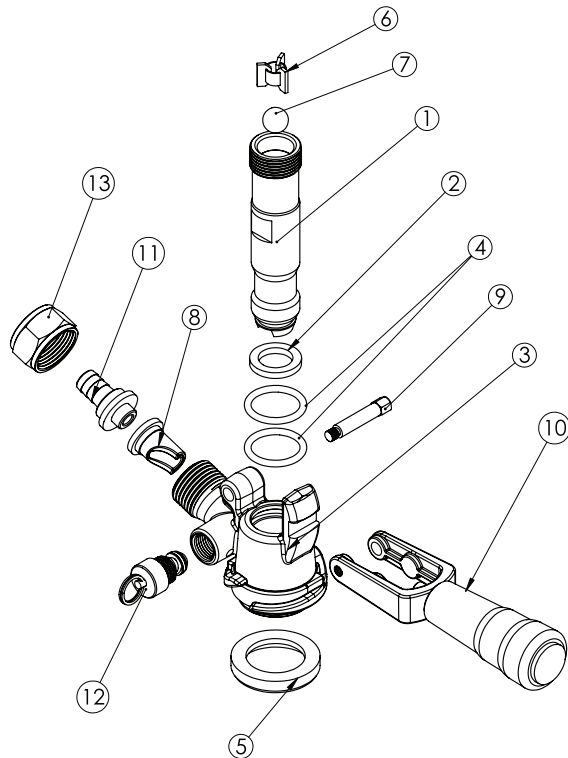
- Easy to engage push down to tap/pull upto in top.
- Stainless Steel Probe & Body.
- Short Handle is ideal for the small diameter.



ITEM NO.	DESCRIPTION	PART No.
1	U System Body	C712.01
2	Locking Ring For U System	C712.02
3	Gasket For U System	C712.03
4	Retaining Ring For U System	C712.04
5	Circlip For U system	C712.05
6	U System Probe	C712.06
7	O-Ring For Probe	C712.07
8	U-System Body O-RING	C712.08
9	Torpedo	C712.09
10	Short Handle	C712.10
11	Retainer For U-System	C712.11
12	Duck Bill Valve For USystem	C712.12
13	PRV	C712.13
14	Handle Hinge Pin	C704.09
15	Tailpiece 5/16"	C103
16	Neoprene Washer	C116
17	Chrome plated brass beer hex nut	C181
18	Coupler Thread Adapter	C713



D SYSTEM



D SYSTEM KEG COUPLERS

Part No.	C701	C737
Type	D System (US c701)	D System (US Sankey)
Pressure Release		
Valve (PRV)	With PRV	With PRV
Probe Thread	5/8-14"	5/8-14"
Probe Material	Brass	Brass
Body Material	Stainless Steel 304	Brass
Finish	SS Polished	Plated Brass
Handle Type	Short	Short



D
System

Part No.	C703	C738
Type	D System (US Sankey)	D System (US Sankey)
Pressure Release		
Valve (PRV)	With PRV	With PRV
Probe Thread	5/8-14"	5/8-14"
Probe Material	Stainless Steel 304	Stainless Steel 304
Body Material	Stainless Steel 304	Brass
Finish	SS Polished	Plated Brass
Handle Type	Short	Short



ITEM NO.	DESCRIPTION	PART No.
1	D System Probe Brass	C701.01
2	D System probe Seal	C703.02
3	D And S System Body	C704.01
4	Coupler Body O-Ring	C704.03
5	Shanky Bottom Seal	C704.05
6	Check ball Retainer	C704.06
7	Plastic Ball	C704.07
8	Check Valve	C704.08
9	Handle Hinge Pin	C704.09
10	Short Handle	C704.10
11	Gas Hose Nipple	C704.11
12	PRV	C712.13
13	Chrome Plated Brass Beer Hex Nut	C181



D SYSTEM

D SYSTEM KEG COUPLER FOR WINE

Part No.	C742
Type	D System (US Sankey)
Pressure Release	
Valve (PRV)	With PRV
Probe Thread	5/8-14"
Probe Material	Stainless Steel 316
Body Material	Stainless Steel 304
Finish	SS Polished
Handle Type	Short



Features

- Recommended for wine & cider applications.



S SYSTEM

S SYSTEM KEG COUPLERS

Part No.	C704	C804
Type	S System (EuropeanSankey)	S System (EuropeanSankey)
Pressure Release		
Valve (PRV)	With PRV	With PRV
Probe Thread	5/8-14"	5/8-14"
Probe Material	Stainless Steel 304	Stainless Steel 304
Body Material	Stainless Steel 304	Brass
Finish	SS Polished	Plated Brass
Handle Type	Short	Short

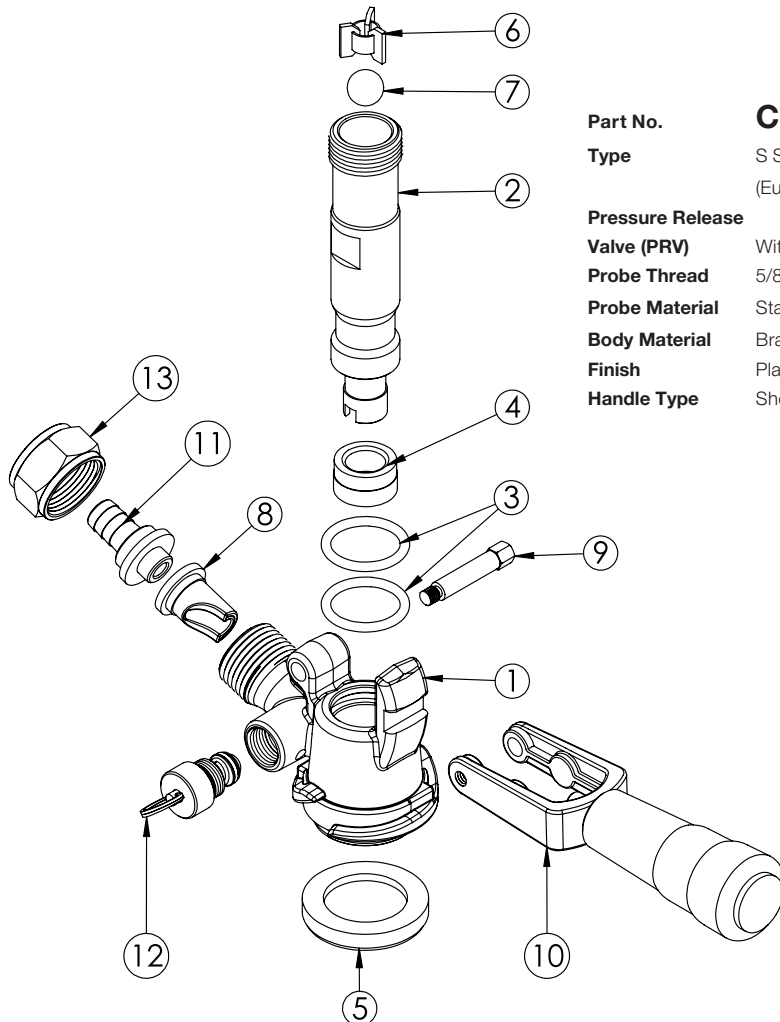
S
System



Part No.	C705	C805	C745
Type	S System (EuropeanSankey)	S System (EuropeanSankey)	S System (EuropeanSankey)
Pressure Release			
Valve (PRV)	With PRV	With PRV	With PRV
Probe Thread	5/8-14"	5/8-14"	5/8-14"
Probe Material	Brass	Brass	Stainless Steel 316
Body Material	Stainless Steel 304	Brass	Stainless Steel 304
Finish	SS Polished	Plated Brass	SS Polished
Handle Type	Short	Short	Short



Part No.	C744
Type	S System (EuropeanSankey)
Pressure Release	
Valve (PRV)	With PRV
Probe Thread	5/8-14"
Probe Material	Stainless Steel 316
Body Material	Brass
Finish	Plated Brass
Handle Type	Short



ITEM NO.	DESCRIPTION	PART NO.
1	D And S System Body	C704.01
2	S-System Probe	C704.02
3	Coupler Body O-Ring	C704.03
4	S System Probe Seal	C704.04
5	Shanky Bottom Seal	C704.05
6	Check Ball Retainer	C704.06
7	Check Ball	C704.07
8	Check Valve	C704.08
9	Handle Hinge Pin	C704.09
10	Short Handle	C704.10
11	Gas Hose Nipple	C704.11
12	PRV	C712.13
13	Beer Hex Nut	C181



BEER SHUT OFF VALVE

Great for turning the flow of beer from inside your fridge. Standard hex beer nut attaches to outlet thread.

Part No.	C270
Material	Stainless Steel 304
Finish	SS Polished
Inlet Thread	5/8"x14" BSP
Outlet Thread	5/8"x14" BSP



Features

- Shut off beer flow at the coupler without untapping keg.
- Standard hex nut attach to the outer head.



COUPLER THREAD ADAPTER

Converts 1/2" BSP threads to 5/8" BSP (7/8"-14) threads on probes. Fits on C715.

Part No.	C713
Material	Stainless Steel 304
Thread Size	1/2" x 5/8" BSP

Features

- Fasteners safely & securely to prevent leaks & disconnections.
- Made of stainless steel for a sanitary coupling resistant to corrosion.



HEX ADAPTER

To convert 5/8" thread of Keg coupler to 1/2" BSP.

Part No.	C192
Size	1/2" x 5/8"
Material	Brass
Finish	Plated Brass



EXTRACTOR TUBE REPAIR SEAL FOR A-TYPE KEGS SPEAR

Part No.	C544
OD Size	38.40mm
ID Size	24.85mm
Material	Rubber





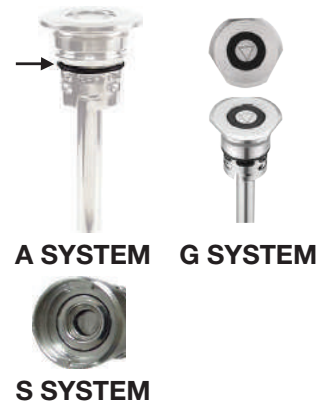
REPLACEMENT WASHER FOR A TYPE AND G TYPE KEG SPEAR

Part No. **C757**

REPLACEMENT WASHER FOR S, D & U TYPE KEG SPEAR

Part No. **C489**

Material Rubber



BALL LOCKS CONVERSION KIT FOR SANKE COUPLERS

Part No. **C865**

Type Liquid/Gas

Take the Lock Nut and Drop it over the top of the post so it slides to the bottom. Turn the assembly over and push the rubber gasket into the bottom of the lock nut. You should be able to get it a couple of threads into the lock nut.



D System Party Coupler with Pump

"D" system is the most common system available in the US, also known as American Sankey. It is used by all the major breweries - Anheuser-Busch, Miller, Molson - Coors, and Labatt as well as most craft breweries.

Part No.	C385	C364	C386	C485	C486
Type	D System Party Coupler with 4" Pump.	D System Party Pump with Release Valve.	D System Party Coupler with 8" Pump.	D System Party Coupler with 4" Pump.	D System Party Coupler with 8" Pump.
Pull Handle	Stainless Steel 304	Stainless Steel 304	Stainless Steel 304	Stainless Steel 304	Stainless Steel 304
Finish	SS Polished	SS Polished	SS Polished	Plated Brass	Plated Brass
Probe Material	Plated Brass	Plated Brass	Plated Brass	Plated Brass	Plated Brass
Party Coupler Body	Stainless Steel 304	Stainless Steel 304	Stainless Steel 304	Plated Brass	Plated Brass

S System Party Coupler with Pump

"S" system (European Sankey) : Many import beers. Used breweries such as : Heineken, Becks and Amstel Light.

Part No.	C387	C388	C487	C488
Type	S System Party Coupler with 4" Pump.	S System Party Coupler with 8" Pump.	S System Party Coupler with 4" Pump.	S System Party Coupler with 8" Pump.
Pull Handle	Stainless Steel 304	Stainless Steel 304	Stainless Steel 304	Stainless Steel 304
Finish	SS Polished	SS Polished	Plated Brass	Plated Brass
Probe Material	Plated Brass	Plated Brass	Plated Brass	Plated Brass
Party Coupler Body	Stainless Steel 304	Stainless Steel 304	Plated Brass	Plated Brass





METAL PUMP

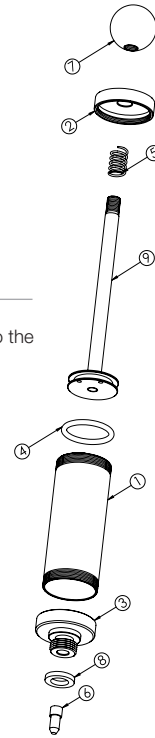
Replacement pump for event dispensing couplers / Equipment.

Part No.	C393	C394
Barrel Height	4"	8"
Material	Brass	
Finish	Plated Brass	

Features

- This pump is supplied with a beer line with beer faucet attach.
- Attach your beer keg tap to the beer hex nut provided and clamp the air hose to the side of your keg tap and your pump is ready.

S.No	PART NAME	PART NO.
1	Metal Pump Body 4"	C393.01
2	Pump Body Top Cap	C393.02
3	Bottom Cap	C393.03
4	O-Ring for Pump	C393.05
5	Pump Shaft Spring 4"	C393.07
6	Pump Check Valve	C393.08
7	Black Plastic Ball Knob	C120
8	Neoprene Washer	C116
9	4" Metal Pump Shaft & O-Ring Holder Assembly.	C393.50



METAL PUMP WITH BARB

Part No.	C794
Barb Size	5/16" OD
Barrel Height	8"
Finish	Plated Brass
Material	Brass

*No Plastic parts

Features

- This is our replacement 8" metal draft beer party pump our beer hand pump.
- It comes with barb base which you can push an air hose on and clamp it.



PICNIC FAUCET

Part No.	C238
Material	Durable Food Safe Plastic

Features

- This is a black plastic picnic faucet used to dispense beer from a keg.



PICNIC FAUCET WITH HOSE

Part No.	C855
Hose Length	2 Feet Long
Material	Durable Food Safe Plastic
PVC Vinyl Size	3/16"x7/16"

Features

- Black plastic party pump squeeze faucet with a hose barb that fits 3/16" I.D. beer line.
- For picnic keg pump comes with 2 feet of attached black beer line.



KEG COOLER JACKET

Use with 8 or 16 gallon kegs.

Part No.	C785
Size	34"x40"
Material	Canvas (Water Proof)

Features

- Colour may change or different as shown in picture.
- Heavy insulation keeps contents cool.
- Durable canvas inside and out.
- Slotted from top.
- Party pump shown is not included.



UPRIGHT CONVERTOR ASSEMBLY WITH METAL PUMP

Very high quality Brass rod and pump used for tapping most domestic American beers. Coupler can be taken off and replaced with another type. Perfect for parties. This pump is used to tap a keg for a party or gathering. By using this tap, you are pumping oxygen into the keg. Oxygen causes beer to go flat very rapidly. The Keg with usually only stay fresh for a day or two at the most. This tap is not to be used to keep beer fresh for any great length of time. To keep beer fresher longer, a CO2 system should be used.

Part No.	C383	C384
Size	4"	8"
Material	Brass	
Finish	Plated Brass	

Keg Coupler not Included.

Features

- All metal parts for more durability and life.
- Include tap & knob.
- Intended for converting a coupler (Keg tap) into a keg party pump.

VERTICAL PUMP ADAPTER

Part No.	C397
-----------------	-------------

Features

- The Vertical Converter is designed for a pump to screw in the top.
- The hex nut on the bottom will screw on to a keg coupler.
- The two prongs are designed for air line and beer line attachments.





VERTICAL CONVERTER WITH 4" DURALE METAL PUMP

Part No.	C547
PVC Vinyl Hose	2ft. (3/16" x7/16")
PVC Vinyl Hose	1ft. (5/16")
Metal Pump Barrel Height	4"
Metal Pump Material	Brass
Hose Length	2 Feet
Metal Pump Finish	Plated Brass

Features

- Includes stainless steel worm clamp and beer washer.
- Intended for converting a keg coupler into a party pump.



A SYSTEM PARTY COUPLER WITH METAL PUMP

Part No.	C368	C369
keg coupler Type	A System	A System
Metal Pump Barrel Height	4"	8"
Metal Pump Material	Brass	Brass
Hose Length	2 Feet	2 Feet
Metal Pump Finish	Plated Brass	Plated Brass

Feature

- Keg Coupler & Plastic Faucet Included.
- With Release Valve.



G SYSTEM PARTY COUPLER WITH METAL PUMP

Part No.	C856	C857
keg coupler Type	G System	G System
Metal Pump Barrel Height	4"	8"
Metal Pump Material	Brass	Brass
Hose Length	2 Feet	2 Feet
Metal Pump Finish	Plated Brass	Plated Brass

Feature

- Keg Coupler & Plastic Faucet Included.
- With Release Valve.



D SYSTEM CO2 PARTY DISPENSING SYSTEM

The ultimate way to dispense Draft beer to a party. No need to pump the keg as with a traditional party pump. Just open the faucet and let the beer flow.

Part No.	C483
Regulator	Single Gauge Primary Regulator
Keg Coupler System	D System
Faucet	Plated Brass Standard US Faucet with Knob

Gas cylinder and Keg not included.



S SYSTEM CO2 PARTY DISPENSING SYSTEM

The ultimate way to dispense Draft beer to a party. No need to pump the keg as with a traditional party pump. Just open the faucet and let the beer flow.

Part No.	C484
Regulator	Single Gauge Primary Regulator
Keg Coupler System	S System
Faucet	Plated Brass Standard US Faucet with Knob

Gas cylinder and Keg not included.



A SYSTEM UPRIGHT ROD PICNIC SYSTEM WITH 8" METAL PUMP

Part No.	C863
-----------------	-------------

Features

- *8" Tall plated brass metal hand pump.
- *High gloss black plastic faucet knob.
- *Study 12" upright dispensing rod assembly (Made from solid brass then nickel plated for a professional look)



G SYSTEM WITH UPRIGHT ROD

Part No. C363

Features

- *8" Tall plated brass metal hand pump.
- *High gloss black plastic faucet knob.
- *Study 12" upright dispensing rod assembly (Made from solid brass then nickel plated for a professional look)



CLAMP SET - RESTRICTED ROD

Part No. C151
Material Stainless Steel 304



Features

- Clamp set for holding metal pump to upright rod C150.



PUMP CONNECTOR

Connects any picnic pump to CO2 inlet side of coupler. Use Short length of 5/16" red vinyl hose.

Part No. C396
Barb Size 3/8"
Material Brass
Finish Plated Brass

Features

- With hose barb.



BEER PUMP ROD

Upright dispensing rod for event dispensing.

Part No. C150
Size 12"
Material Brass
Finish Plated Brass

Tap & Knob not included

Features

- This is the replacement metal beer pump rod with beer faucet attached which comes installed on keg beer pumps.
- One end has the beer faucet attach and the other end has the beer hex nut which will attach to the tap of beer keg tapping fittings.





FAUCET CLEANING JUMPER HOSE

Complete assembly for cleaning two faucet at a time.

Part No. C157
Length 2.5ft

Features

- Food grade vinyl tubing.
- Includes line, tail piece, cleaning attachment & washers.
- Clear beer tube line.



C110

BEER HOSE ASSEMBLY

Part No.	C110	C111
Hex Nut	On One End	On Both Ends
Length	5ft.	5ft.
Tube ID X OD	3/16"x7/16"	3/16"x7/16"



C111

Features

- 3/16" I.D vinyl tubing is used for the beer hose in most applications where the distance between the keg and the faucet is less than 5".
- This hose will not rot, swell of dry out and is unaffected by normal beer line cleaning chemicals.



BEER HOSE ASSEMBLY -3/8" I.D.VINYL X 6' LONG

Tail piece with standard wing nut fittings on both ends.

Part No. C136
Tube ID 3/8"
Length 6ft.

Features

- NSF Approved Hose.



SANKEY PUMP ADAPTER

For use on Sankey pumps C393/394.

Part No. C399
Thread 5/8 BSP x Pump Thread
Material Brass
Finish Plated Brass



C101

C102



C103

TAILPIECE-CHROME PLATED BRASS

Part No.	C101	C102	C103	C104	C105
Tube ID	3/16"	1/4"	5/16"	3/8"	1/2"
Material	Brass				
Finish	Plated Brass				

TAILPIECE-STAINLESS STEEL 304

Part No.	C240	C246	C285	C286	C287
Tube ID	3/16"	1/4"	5/16"	3/8"	1/2"
Material	Stainless Steel 304				



TAILPIECE-STAINLESS STEEL 316

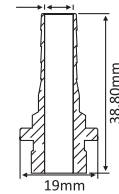
Part No.	C441	C442
Tube ID	3/16"	1/4"
Material	Stainless Steel 316	



TAILPIECE FOR EUROPEAN FAUCET SHANKS

For European Faucet Shanks

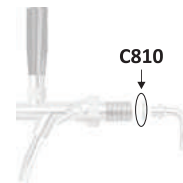
Part No.	C229	C233
Internal Hose Diameter	7mm	10mm
Material	Stainless Steel 304	Stainless Steel 304



SILICON WASHER

For Flow Control Tap.

Part No.	C810
Size	-
Material	Silicon



STAINLESS STEEL 304 CROSS

Part No.	C436	C437	C438
Tube ID	3/16"	1/4"	5/16"
Material	Stainless Steel 304	Stainless Steel 304	Stainless Steel 304



Used to split your gas line into a three way splitter.



ELBOW

For European Faucet Shanks.

Part No.	C813	C814
Tube ID	7mm	10mm
Material	Stainless Steel 304	



ELBOW NIPPLE

Part No.	C603	C172	C621	C661
Pipe ID	3/16"	1/4"	3/16"	1/4"
Material	Brass	Brass	Stainless Steel 304	Stainless Steel 304
Finish	Plated Brass	SS Polished	SS Polished	SS Polished

Beer nut not included (order separately).



SWIVEL 90° ELBOW (90° TAIL PIECE)

For use with Keg coupler probe - D System and S System Coupler. Use in situations where there is a possibility of the beer hose being linked.

Part No.	C706
Pipe ID	7mm
Material	Stainless Steel 304



Features

- Self-sealing with built in O-ring.
- Fits standard Keg coupler probes.



SPLICERS / PIPE JOINERS

Part No.	Splicer ID	Material
C401	3/16"x3/16"	Stainless Steel 304
C402	3/16"x1/4"	Stainless Steel 304
C405	1/4"x1/4"	Stainless Steel 304
C409	3/8"x1/4"	Stainless Steel 304
C415	3/8"x3/8"	Stainless Steel 304
C904	3/16"x5/16"	Stainless Steel 304
C905	3/16"x3/8"	Stainless Steel 304
C906	1/4"x5/16"	Stainless Steel 304
C907	5/16"x5/16"	Stainless Steel 304
C908	5/16"x3/8"	Stainless Steel 304
C909	3/8"x1/2"	Stainless Steel 304
C924	1/2"x1/2"	Stainless Steel 304
C406	7x7mm	Stainless Steel 304
C407	10x10mm	Stainless Steel 304
C408	4.4x7mm	Stainless Steel 304





KEG COUPLER ELBOW

Use for low clearance applications to prevent kinked beer hose.

Part No.	C600	C601
Angle	90°	90°
Thread	7/8"-14 (5/8" BSP)	7/8"-14 (5/8" BSP)
Material	Stainless Steel 304	Brass
Finish	Brushed	Plated Brass



KEG COUPLER ELBOW WITH FEMALE THREADS ON BOTH SIDES

Part No.	C663
Thread	7/8"-14 (5/8" BSP) (S _m x S _m)
Material	Stainless Steel 304
Finish	Brushed



BEER "Y" FITTING

Easily dispense at two faucets from one keg. Simply connect on the beer connection of any keg coupler.

Part No.	C137	C599
Bore ID	3/8"	3/8"
Height	2-1/2"	2-1/2"
Thread	5/8" BSP	5/8" BSP
Material	Plated Brass	Stainless Steel 304



C158

C152

WALL BRACKETS

Part No.	C158	C152
Bore ID	3/8"	3/8"
Thread	5/8" BSP	5/8" BSP
Material	Stainless Steel 304	Stainless Steel 304
Way	3 WaY	2 Way





ELBOW

Part No. C135
Pipe ID 3/16"x3/16"
Material Stainless Steel 304



Part No. C114
Pipe ID 1/4"x1/4"
Material Stainless Steel 304



Features

- Stainless steel elbow fitting 1/4" x 1/4" I.D. tubing.
- Stainless steel elbow 3/16" I.D. Vinyl to 3/16" I.D. Vinyl.



U BEND

Part No. C251
Type Large
Outer Diameter 3/8" BSP
Size (LxW) 3"x2-5/8"
Fits 5/16" ID vinyl to 5/16" ID vinyl
Material Stainless Steel 304



Part No. C252
Type Small
Outer Diameter 3/8"
Size (LxW) 2"x1-13/16"
Fits 5/16" ID vinyl to 5/16" ID vinyl
Material Stainless Steel 304



TEE

Part No. C134
Bore ID 3/16"
Material Stainless Steel 304



Part No. C434
Bore ID 1/4"
Material Stainless Steel 304



WALL BRACKETS

Part No. C365
Barb 3/8"
Thread 5/8" BSP
Material SS 304



Part No. C398
Barb 3/8"x3/8"
Thread -
Material SS 304



Features

- Wall Bracket 304 grade stainless steel 3/8" bore.
- Thread 7/8"-14 (5/8" BSP) Keeps beer lines organized.

View complete range of FITTINGS visit
www.kromedispense.com



SS WALL BRACKET 3/8" BARB STRAIGHT

Part No. C498
Barb Size 3/8"x3/8"
Material Stainless Steel 304



STEP LESS CLAMP

Part No.	C140	C188	C189	C020	C021	C022	C027
Size	11.9mm	14.8mm	16.8mm	10.5mm	13.3mm	17mm	10mm
Material	Stainless Steel 304						
For Vinyl Hose ID	3/16"	5/16"	3/8"				

Features

- For low profile or heavy duty clamping, for demanding applications where lighter, thin-walled hose or tubing is being used



WORM CLAMP

Part No.	C235	C225
Fits Vinyl Hose ID	7/16" to 5/8"	3/16" to 5/16"
Material	Stainless Steel 304	

Features

- Screw Type clamps for beer vinyl hose.



PLASTIC PYTHON CLAMP

Part No. C070
Width 38mm
Material Plastic
Colour Black

Features

- Clamps different sizes of python during cellar installation.



SS ELBOW

Part No. C645
Material Stainless Steel 304
Thread Size 1/4"x3/8" ID



Features

- Stainless steel elbow fitting 1/4" x 3/8" I.D. tubing.



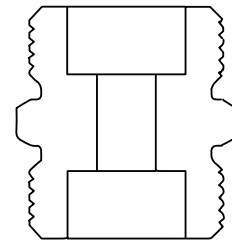
CONNECTING HEX NIPPLE-G5/8" X G5/8"

Part No.	C427	C428
Bore	7mm	10mm
Material	Stainless Steel 304	Stainless Steel 304



Features

- Reducing hex nipple connecting to threaded pipes.
- Available in 2 sizes.



MALE HOSE STEM

Hose barb to male pipe thread

Part No.	C525	C526
Barb	5/16"	3/16"
Thread	1/4"	1/4"
Material	Plated Brass	Plated Brass

Features

- 1/4" NPT X 5/16" I.d. brass male hose stem.
- 1/4" NPT X 3/16" I.d. brass male hose stem.



ECONOMY BEER NUT-CHROME PLATED BRASS

Part No. C733
Material Brass
Finish Plated Brass
Thread Size 5/8" x 14 BSP

Features

- Economy beer line nut is used in conjunction with tail pieces and rubber washer to make draft beer hose connections.



BEER NUTS

Part No.	C181	C193
Type	Hex Nut	Wing Nut
Thread	Standard US Beer Nut thread (5/8" BSP)	
Material	Brass	
Finish	Plated Brass	

Features

- A beer line hex nut is used in conjunction with tail pieces and rubber washer to make draft beer hose connections.



NEOPRENE WASHER

Part No.	C116
Material	Rubber

Features

- For Beer nuts (Beer Washer). A food grade polyethylene washer seals the connection under the tail piece and nut to avoid leaks. It is recommended to always use a washer at these beer connections.



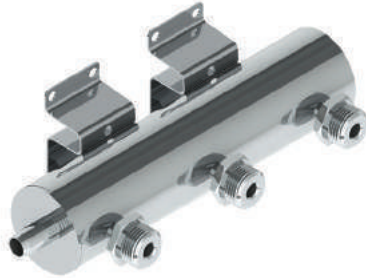
ELBOW FOR EUROPEAN FAUCET SHANKS 10MM ID

Part No.	C813	C814
Material	Stainless Steel 304	Stainless Steel 304
Finish	SS Polished	SS Polished
Diameter	7 mm I.D.	10 mm I.D.



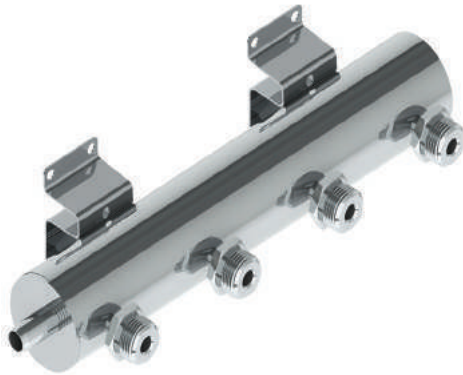
BEER MANIFOLD-2 WAY

Part No.	C832
Material	Stainless Steel 304
Mounting Bracket	Integrated
Inlet Connection	1/2" O.D.
Outlet Connection	7/8" - 14 (5/8" BSP)



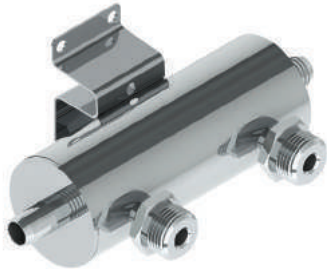
BEER MANIFOLD-3 WAY

Part No. C833
Material: Stainless Steel 304
Mounting Bracket: Integrated
Inlet Connection: 1/2" O.D
Outlet Connection: 7/8" - 14 (5/8" BSP)



BEER MANIFOLD-4 WAY

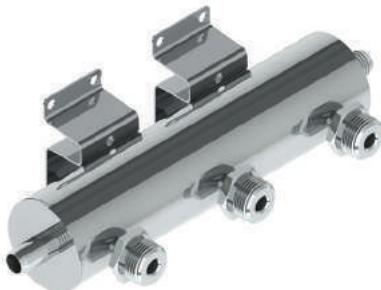
Part No. C834
Mounting Bracket: Integrated
Inlet Connection: 1/2" O.D
Outlet Connection: 7/8" - 14 (5/8" BSP)



2 WAY BEER MANIFOLD WITH TWO BARB

Part No. C835
Performance 2 stations
Material Stainless Steel 304
Mounting Bracket Integrated
Inlet Connection (2) 1/2" O.D
Outlet Connection 7/8" -14(5/8" BSP) (U.S beer industry Standard)

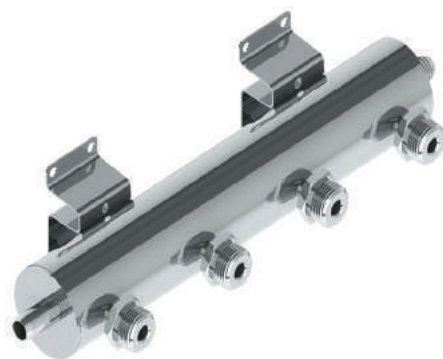
Distribute Beer from Serving vessel or keg to multiple stations.Mounts securely to wall.



3 WAY BEER MANIFOLD WITH TWO BARB

Part No. C836
Performance 3 stations
Material Stainless Steel 304
Mounting Bracket Integrated
Inlet Connection (2) 1/2" O.D
Outlet Connection 7/8" -14(5/8" BSP) (U.S beer industry Standard)

Distribute Beer from Serving vessel or keg to multiple stations.Mounts securely to wall.



4 WAY BEER MANIFOLD WITH TWO BARB

Part No.	C837
Performance	4 stations
Material	Stainless Steel 304
Mounting Bracket	Integrated
Inlet Connection	(2) 1/2" O.D
Outlet Connection	7/8" -14(5/8" BSP) (U.S beer industry Standard)

Distribute Beer from Serving vessel or keg to multiple stations. Mounts securely to wall.



KEG COUPLER CHECK BALL LIFTER

*Save time while cleaning your draft beer system! *Insertion of this device into the bottom of the coupler probs lifts the check ball, permitting cleaning solution to flow through the coupler when cleaning your system. This saves time by eliminating the need to remove the coupler while cleaning the system.

Part No. C400
Material Stainless Steel & Acid Proof Plastic



DUPLEX CLEANING COUPLER

Duplex coupling (Male to Male). Duplex permits two lines to be cleaned at one time.

Part No. C215
Thread US Beer Nut Thread (5/8" BSP)
Material Stainless Steel 304



C217



C237

CLEANING BRUSH

For beer faucet cleaning.

Part No.	C217	C237
Brush	Single	Double
Total Length	8.5"	13"
Brush Length	85mm	104mm (Bigger Brush)
Diameter (OD)	17.9mm	18mm (Bigger Brush) / 13mm (Smaller Brush)
Wire Thickness	1.95mm	1.5mm
Wire Material	Stainless Steel	Stainless Steel



NYLON HOSE BRUSH

Beer line cleaning Brush to reach through beer lines to Brush build up off the walls.

Part No. C269
Size 3/8"OD. x 66" L

NYLON HOSE BRUSH LONG

Part No. C282
Size 3/16"OD.x 66"L



CLEANING BRUSHES

For Keg Couplers.

Part No.	C655	C656
Brush Size	5/8"x4-1/4"x8-1/2"	7/8"x4-1/2"x8-3/4"
Used with Keg Coupler	D System (American Sankey) S System (European Sankey) M System (European Sankey) U System (European Sankey)	A System (European Sankey) G System (European Sankey)



CLEANING ATTACHMENT

For Faucet / Shank cleaning.

Part No.	C156
Material	Brass
Thread Size	1-1/8" x 18 UNEF
Finish	Plated Brass

Features

- Solid brass faucet cleaning attachment that has the U.S. Beer Industry Standard.



CLEANING KIT WITH 4" METAL PUMP

Part No.	C546
Bottle Size	1Ltr.

Features

- Include 4" metal pump, 1 quart shatter proof plastic cleaning bottle, cleaning brush and standard wrench.



FAUCET CLEANING ATTACHMENT FIXED

Part No.	C299
Size	7.5mm ID x 10.15mm OD
Length	33.90
Thread Size	1-1/8" x 18 UNEF
Material	Brass
Finish	Plated Brass

Features

- Solid brass faucet cleaning attachment that has the U.S. Beer Industry Standard.



WALL MOUNTED HOLDER FOR KEG COUPLER

Part No. C700
Material Stainless Steel 304
Coupler Hook Plastic



BEER LINE CLEANING FLUSHER DOUBLE ADAPTOR

Part No. C899
Material Stainless Steel 304



Features

- For use with 2 into C395.



C378

C379

CLEANING ADAPTOR-WALL / BASE MOUNT

Part No.	C378	C379
Type	G System	A System
Inlet Size	5/16"	5/16"
Material	Plated Brass	Plated Brass
Mounting System	Brackets & With Screw	Brackets & With Screw



CLEANING ADAPTOR-WALL / BASE MOUNT

Part No. C480
Type S System
Material Stainless steel
Inlet Size 5/16"
Mounting System Brackets & With Screw





SERIES NIPPLE FOR CLEANING ADAPTOR

Part No.	C480.01
Material	Stainless steel
Inlet Size	5/16"
Thread Size	3/8" x 19 BSP

Features

- Help to all of cleaning adaptor in series.

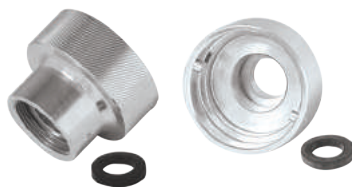


SANKEY CLEANING ADAPTER

Attach your beer line cleaning equipment to your coupler with this reliable connector with male threading one side of this fitting onto the coupler while the opposite side connects to any standard beer line hex nut or wing nut.

Part No.	C395
Material	Brass
Finish	Plated Brass
Thread Size	5/8x14" BSP

Without ball lifter. Suitable for **D&S Keg Coupler**



CLEANING ADAPTER FOR PARTY PUMP

Just connect with C546 and clean your **Picnic Pumps** (C385 / C386) easily.

Part No.	C391
Material	Brass
Finish	Plated Brass
Thread Size	1-1/8"x18 UNEF

Features

- Designed by Krome.





WALL BRACKET WITH NUT FOR CO2 REGULATOR

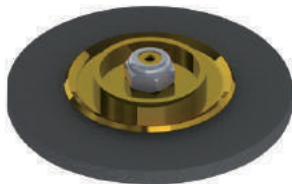
(For economy series gas regulators)

Part No. C366
Material Stainless Steel 304
Finish Stainless Steel



CO2 ADAPTER FOR CONVERTING CGA 320 FEMALE (US) TO DIN 477 MALE (EUROPEAN)

Part No. C698
Material Brass
Thread DIN 477 x CGA-320
Finish Brass



PRIMARY REGULATOR REPAIR KIT

Part No. C943

Features

- This is a huge feature on these compressors, inasmuch as on other compressors you have to replace the complete regulator assembly.



STAR SEAL

Part No. C414
Material Brass
Thread M8 x 1.5

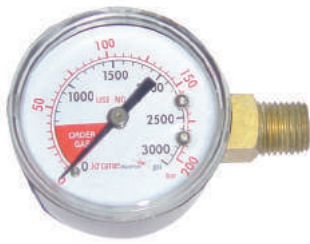
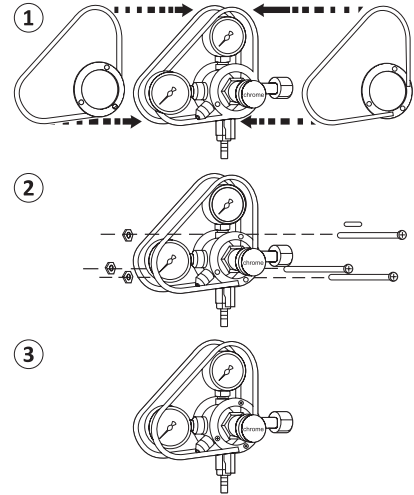
Features

- Free hex key included.
- Permanently stays in place will not fall out.
- Installs easily with a 5/32" Allen wrench.
- Replaces the built in seal on the regulator stem.
- Keeps your air tank working properly.

REGULATOR GAUGE CAGE SET

Protects regulator gauges from damage. Works with Micro Matic and NADS regulator.

Part No. C133
Material Stainless Steel 304
Finish SS Polished



CO2 REGULATOR REPLACEMENT GAUGE

Part No. C001
Diameter 50mm
Thread Connection 1/4"
Pressure 0-3000PSI
Type Right Hand
Material Polycarbonate Glass
Body Powder Coated Steel



CO2 REGULATOR REPLACEMENT GAUGE

Part No. C002
Diameter 50mm
Thread Connection 1/4"
Pressure 0-60PSI
Type Bottom Connection
Material Polycarbonate Glass
Body Powder Coated Steel



CO2 GAS REGULATOR "Y" FITTING

Part No. C259
Thread size 1/4MPT x 1/4 FPT x 1/4 FPT
Material Brass
Finish Plated Brass



C549



C548

CO2 GAS CYLINDER HOLDERS

Prevents cylinder from falling down.

Part No.	C548	C549
Holder for Cylinder	1	2
Material	Nickle & Powder Coated Steel	
Finish	Plated Brass	

Features

- A adjustable chain to fit cylinder diameter.



DRAFT BEER NITROGEN REGULATOR TO CO2 TANK DAPTER

Part No.	C295
Material	Brass
Thread Size	CGA-320 x CGA 580

Features

- Quickly converts a Nitrogen into a CO2.
- If you own a nitrogen regulator and want to use it on a Co2 tank, then the following adapter can save you money! Simply screw on one side of the adapter to your nitrogen regulator and the other side to your Co2 tank valve.
- Connects a nitrogen regulator to CGA-320 Co2 tank valve.



DRAFT BEER CO2 REGULATOR TO NITROGEN TANK DAPTER

Part No.	C296
Material	Brass
Thread Size	CGA-320 x CGA 580

Features

- Quickly converts a CO2 regulator into a Nitrogen regulator.
- Converts female CGA-320 threads to make CGA-580 threads.
- Ideal for occassional use of mixed gas cylinders with Nitrogen connection.



SECONDARY REGULATOR JOINER

Part No.	C071
Thread Size	1/4"x1/4"
Finish	Plated Brass
Material	Brass



CO2 BULK HEAD

Part No.	C075	C076
Length	4	2-7/8"
Thread	1/4" MFL	1/4" MFL
Material	Stainless Steel 304	Stainless Steel 304



Features

- This bulkhead allows you to keep your CO2 outside of the refrigerator or freezer and run your gas line through the wall without drill a large whole. The rubber gaskets included seal of the whole or the gas and gives.



C411



C412



C413



C003



C004



C005

CHROME PLATED BRASS GAS DISTRIBUTOR WITH PRV

All shutoff valves have inbuilt check valve mechanism.

Part No.	C411	C412	C413
Output	2 Way	3 Way	4 Way
Inlet Connection	3/8" OD (To fit 5/16" ID gas hose)		
Outlet Connection	3/8" OD (To fit 5/16" ID gas hose)		
Pressure Release Valve (PRV)	60 PSI		
Body Material	Brass		
Body Finish	Plated Brass		
Bracket Material	Stainless Steel 304		

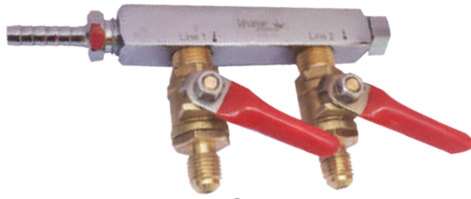


CHROME PLATED BRASS GAS DISTRIBUTOR WITHOUT PRV

All shutoff valves have inbuilt check valve mechanism.

Part No.	C003	C004	C005
Output	2 Way	3 Way	4 Way
Inlet Connection	3/8" OD (To fit 5/16" ID gas hose)		
Outlet Connection	3/8" OD (To fit 5/16" ID gas hose)		
Pressure Release Valve (PRV)	Without PRV		
Body Material	Brass		
Body Finish	Plated Brass		
Bracket Material	Stainless Steel 304		





C038

GAS DISTRIBUTORS WITHOUT PRV

Part No.	C038	C039	C040
Output	2 Way	3 Way	4 Way

(Without 60 PSI PRV) with 1/4" MFL Connection

Features

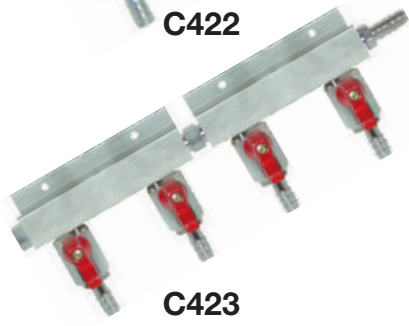
- Valves are inbuild with check valve shutoff.



C421



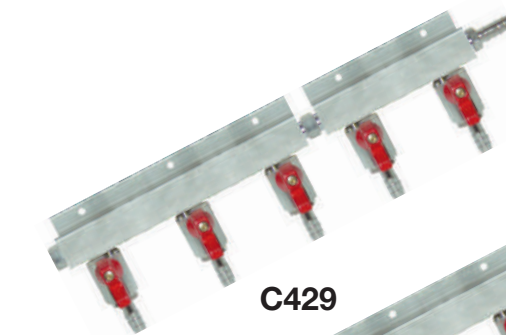
C422



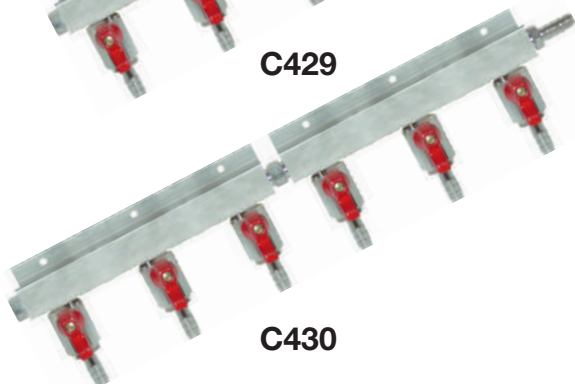
C423

ALUMINIUM 2 WAY GAS DISTRIBUTOR

Part No.	C421	C422	C423
Output	2 Way	3 Way	4 Way
Intel Connection	3/8" OD (To fit 5/16" ID gas hose)		
Outlet Connection	3/8" OD (To fit 5/16" ID gas hose)		
Pressure Release Valve (PRV)	Without PRV		
Body Material	Aluminium		



C429



C430

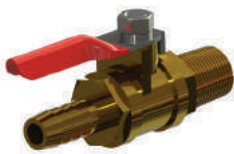
ALUMINIUM 2 WAY GAS DISTRIBUTOR

Part No.	C429	C430
Output	5 Way	6 Way
Intel Connection	3/8" OD (To fit 5/16" ID gas hose)	
Outlet Connection	3/8" OD (To fit 5/16" ID gas hose)	
Pressure Release Valve (PRV)	Without PRV	
Body Material	Aluminium	



MFL NIPPLE GAS SHUT OFF VALVE WITH RETURN CHECK VALVE

Part No.	C449
Material	Brass
Thread	1/4" x 1/4"-19 BSPT



5/16" ID GAS SHUT OFF VALVE - WITH RETURN CHECK VALVE

Part No.	C446
Material	Brass
Thread	1/4" x 19 BSPT



PLUG FOR AIR DISTRIBUTOR

Part No.	C016
Material	Brass
Thread Size	1/4" x 19 BSPT
Finish	Plated Brass



HEX JOINER

For aluminium air distributors.

Part No.	C410
Size	1"x1/4" NPT
Material	Brass
Finish	Brass



BEER GAS SHUT OFF VALVE

Part No.	C424
Thread Size	Right Hand 1/4" NPT (National Pipe Threads)
Barb	3/8" O.D. (To Fit 5/16" I.D. Gas Hose)
Material	Brass
Finish	Plated Brass



C112 **C113**



C194 **C195** **C196**

HOSE PLUGS

For Vinyl tube / hose fitting.

Part No.	C112	C113	C194	C195	C196
For Tube ID	3/8"	1/2"	3/16"	1/4"	5/16"
Material	Stainless Steel 304				
Finish	Stainless Steel				



SWIVEL NUT

Fits home brew coupler with thread. For Ball lock gas in / out liquid couplers.

Part No.	C707
Thread	7/16" GAS
Material	Brass
Finish	Plated Brass



FLARE SWIVEL NUT

Part No.	C153	C221	C222
Size	3/16"	1/4"	5/16"
Barb Material	Stainless Steel 303		
Nut Material	Brass		
Nut Finish	Plated Brass		

Features

- Attaches to Hose, required in case of using MFL Disconnect.
- These swivel nuts are made from nickel plated brass and stainless steel barb.



FLARE NYLON WASHER

Part No.	C159	C223
Size	1/4"	3/8"
Material	Nylon	

Features

- Replacement tapered nylon washers for " flare fittings. Washer is not needed for keg disconnects as they have a built in plastic area that helps to seal. You will need this on the flared shut off where it is metal against metal.



TUBE SIZING ROD

Excellent tool for holding splicers and tailpieces.

Part No.	C200
For Tube ID	3/16", 1/4", 5/16", 3/8"
Material	Stainless Steel 304



Features

- Easily identify tubing ID.



TEFLON TAPE

Part No.	C154	C155
Width	1/2"	3/8"
Length	420"	420"
Material	Teflon (PTFE)	

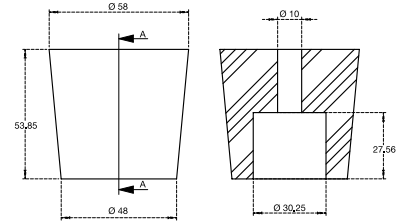
Features

- Used on NPT threads 1/2 inch to 2 inch, often labeled "gas tape".



RUBBER BUNG

Part No. C017
Material Rubber
Bottom Diameter 48mm
Upper Diameter 58mm



TAIL PIECE WITH CONNECTOR

Fits inside a hex nut or wing nut instead of a barb. Provides a 1/4" MFL connection, so that you can easily switch between commercial kegs and home brew kegs.

Part No. C115
Thread 1/4" MFL
Material Stainless Steel 304
Finish Stainless Steel



CORNY PLUG ADAPTER

For quick disconnection. Put a corny style quick disconnect anywhere with this handy adapter.

Part No. C118
Threads Male End 19/32" - 18, Female End 1/4" Female flare (FFL)
Material Stainless Steel 304



ADAPTER

Part No. C109
Female Thread 7/16" UNC
Material Brass
Finish Plated Brass

Faucet coupling not included / Order separately.

Features

- Fits CMB threaded quick disconnects.





STANDARD WORT CHILLER WITH GARDEN HOSE FITTINGS

Part No.	C219
Coil OD	3/8"
Coil Length	25 ft.
Material	Copper

Includes Hose and Nut for Home / Kitchen tap.



STANDARD STAINLESS STEEL WORT CHILLER

Part No.	C281
Size	3/8" OD
Coil Length	25 Ft
Material	Stainless Steel 304

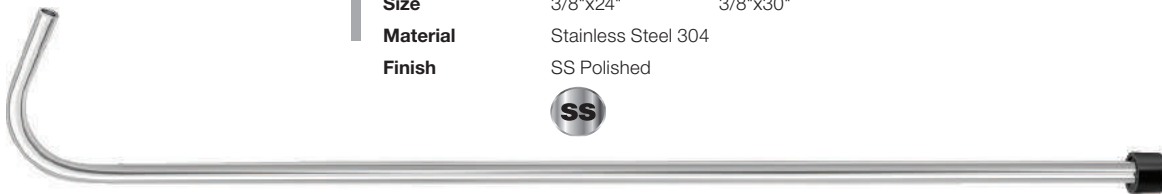


Features

- With Garden hose fittings.
- Brass Garden hose connection nut on other end.
- Includes 7 feet clear hose.
- Shipped in multiple of 2 pcs.

RACKING CANE

Part No.	C171	C165
Size	3/8"x24"	3/8"x30"
Material	Stainless Steel 304	
Finish	SS Polished	



RACKING CANE REPLACEMENT TIP

Part No.	C166
Colour	Black
Material	Plastic
Finish	Glossy





C218

BASIC KETTLE CONVERSION KIT

Part No.	C218	C762
Material	Brass	SS 304



Features

- Easily converts any kettle without welding.
- All that is needed us 7/8" holesaw, step drill or hole punch & pliers.



C762



SANITARY BALL VALVE

Part No.	C763
Material	Stainless Steel 304
Thread Size	1/2" NPT Threads



Features

- *Sanitary ball valves are easy to take a part and clean.
- *The seals are made of Teflon to resist high temperatures.
- *Comes with a locking handle to prevent accidental opening.



SS BULK HEAD

Part No.	C767
Thread	1/2" NPT
Material	Stainless Steel 304
Finish	Stainless Steel





1/2" STAINLESS STEEL KETTLE CONVERSION KIT COUPLING

Part No. C167
Thread 1/2" NPT
Material Stainless Steel 304
Finish Stainless Steel



C169

C170

CARBOY HANDLE

For lifting empty glass carboys.

Part No.	C169	C170
Lifting Capacity	5 gallons carboy	6.5 gallons carboy
Material	Nickle Plated Steel	Nickle Plated Steel
Color	Blue	Orange

Features

- Wing nut on both sides for easy Tigtining operation.



JET BOTTLE WASHER

Jet Bottle Washer attaches to your faucet, this device delivers a blast of water to clean bottles and carboys.

Part No. C148
Material Brass
Finish Plated Brass

Features

- A durable brass construction ensures the product durability.
- With glass hose fitting that connects easily to a utility sink.



FAUCET ADAPTER

Fits most house hold faucets. Suitable for C148.

Part No. C248
Material Brass
Finish Plated Brass

Features

- Adapts your jet bottle faucet so you can screw on a garden hose.
- Fits both male & female faucet threads to adapt to a standard hose.



MALE QUICK DISCONNECT

Fits in C753.

Part No. C751
Length 45.65mm
Barb Size 1/2"
Material Stainless Steel 304



Features

- The quickly disconnect will head wold pressure for typical brewing application when moving liquids at 60 Psi or less.



MALE QUICK DISCONNECT

Fits in C753.

Part No. C752
Length 45.07mm
Thread 1/2" MPT
Material Stainless Steel 304



FEMALE QUICK DISCONNECT

Quickly and effortlessly switch lines between fittings with this stainless steel quick disconnect. Move tubing from one kettle to another. Easily switch lines between pumps, chillers, hoprockets or other in line equipment. Stainless steel design is safe for your wort just what a pro brewery would use.

Part No. C753
Length 55.35mm
Barb Size 1/2"
Material Stainless Steel 304



C850

KEG POST BALL LOCK CONVERSION KIT

The fittings and springs are made of stainless steel.

Part No. C850
Material Stainless Steel 304



Features

- Ball lock posts easily attach to sankey coupler air & beer line fittings.
- Makes it easy toggle between commercial & homebrew beers.
- Includes both gas & liquid side ball lock posts.

**KEG LID O-RING**

Replacement O-Ring for cornelius and home brew kegs / Soda Tanks. Superior material for long life.

Part No. C249
Material Rubber

Features

- This is the O-ring that goes on the top of keg lids. This is a universal for almost all keg lids.

**GAS DIP TUBE - GAS IN**

This is a standard Dip Tube for Gas-IN on a Cornelius keg. Corenlies Gas Dip Tube includes new O-ring. Many Firestone kegs used a smaller diameter plastic tube. We would recommend drilling out this hole and replacing with this metal dip tube.

Part No.	C918	C919
Material	Stainless Steel 304	Stainless Steel 304
Length	38mm	335mm

Features

- Stainless Steel.
- Includes O-Ring.

**Dip Tube O-Ring**

Part No. C916
Material Rubber

Features

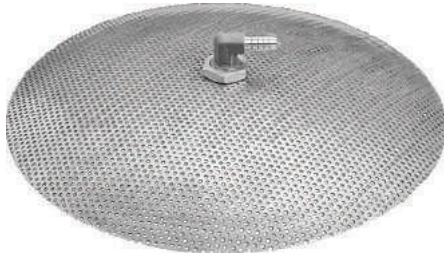
- Use this dip tube O-ring to replace worn out rings inside your keg. This ring will fit both the gas in and liquid out dis tubes of a cornelius keg.

**O-RING REPLACEMENT SET FOR CORNELIUS KEGS**

Part No. C970
Material Rubber

Features

- Keg O-rings replacement set this 5 piece set will easily replace any rotted O-rings for your ball lock cornelius keg.



STAINLESS STEEL FALSE BOTTOM

Part No.	C380	C381	C367	C377	C389
Size	10"	12"	9"	13.39"	15.35"
Material	Stainless Steel 304				
Finish	SS Polished				



Features

- Make sure to choose the appropriate size for your kettle.
- Great for making the switch to all grain brewing.
- Converts your brewpot into a mash tun.
- Made of high quality perforated stainless steel.



HEX NUT FOR FALSE BOTTOM ELBOW

Part No.	C380.2
Hex Diameter	29.9mm
Thread	1/2" BSP
Material	Stainless Steel 304



Features

- Different sizes available according to false bottom size.



FALSE ELBOW

Part No.	C380.3
Thread	1/2" MPT
Material	Stainless Steel



KETTLE DIVERTOR FOR BOIL KETTLE

Part No.	C750
Material	Stainless Steel



Designed to pull form the side of the kettle inserted of the middle. This helps reduce trub from entering your fermenter. By adjusting the height you can also control how much wort you leave behind in the Kettle. Has a 1/2 inch MPT fitting on the end, that screws into the inside coupler of o ut heavy duty kettles. Will only work if your kettle has a 1/2 inch FPT coupler on the inside of the Kettle.



WINE AGITATING ROD (W.A.R.)

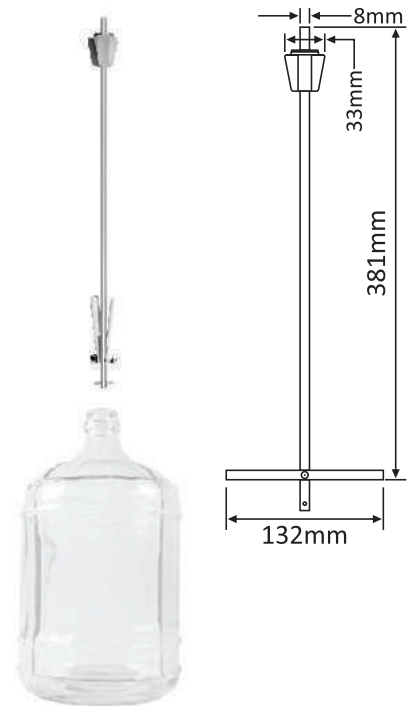
One of the most important of wine making is removing the gas after fermentation. De-gassing insures faster and more effective cleaning and aging.

Part No. C162
Material Stainless Steel 304



Features

- Eliminates the hassle of shaking and stirring.
- Connects to standard drill machine.



CARBOY BRUSH- STAINLESS STEEL

Part No. C889

Features

- This long handled brush is bent at a ninety-degree angle to clean those tough to get at spots in any size carboy.



PURE SCREEN

The Pure Screen is a welded stainless steel screen that slips onto your racking cane or keg dip tube and filters out fruit or dry hops from the fermenter or whole hops and trub from the kettle. Also allows dry hopping to be done directly in the keg. Stainless steel construction makes it easy to sanitize (do not use bleach!). Not recommended for use with plastic racking tubes or plastic fermenters it can cause scratching and possibly infection. Pellet hops have a tendency to clog the pure screen-it works far better with whole hops.

Part No.	C711
ID	3/8"
Material	Stainless Steel 304



BREW SCREEN

The brew valve accessory that turns your pot into a mash tun. All stainless steel, 3/8" or 1/2" male NPT thread to fit the brew valve.

Part No.	C717	C720
Size	12"	12"
Thread	3/8" NPT	1/2" NPT
Material	Stainless Steel 304	

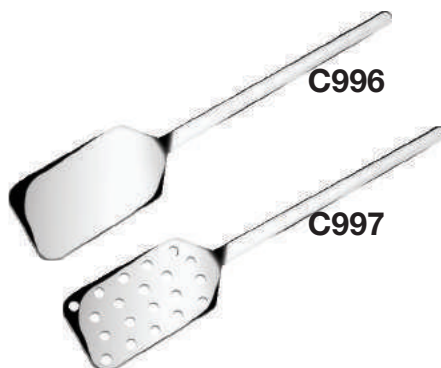


BAZOOKA T SCREEN

Part No.	C718
Length	10"
Outlet	1/2" Copper

Features

- Excellent for straining out leaf hops in the boil kettle.
- Stainless Steel construction.



MASH PADDLE

Part No.	C996	C997
Type	Without Holes	With Holes
Length	30"	30"
Material	Stainless Steel 304	Stainless Steel 304
Finish	Brushed	Brushed



**HEAVY DUTY STAINLESS STEEL TONG**

Perfect for retrieving items from your bowl.

Part No. C998
Length 16"
Material Stainless Steel 304
Finish SS Polished

**STIRRING SPOON**

For stirring a mash corrugated design prevents bending.

Part No. C999
Length 21"
Material Stainless Steel
Finish SS Polished

**Features**

- Perfect for stirring mixed drinks.
- Rugged spoon is great for stirring a mash.

**CASK COOLING COIL**

This coil will fit a 9 or 10 gallon of Ale.

Part No. C277
Material Stainless Steel 304

**Features**

- Stainless steel cooling element for safe and reliable cooling of casks on the back bar (or almost any environment).
- Supplied with plain ends for connection to pipework with 5/16" push-on fittings.

**THERMOWELL STOPPER**

Part No. C952
Material Stainless Steel 304

**Features**

- This carboy thermowell is used in conjunction with the digital controller.
- It is exceptionally useful during the start of fermentation when the lag b/w ambient temperature in the refrigerator and actual temperature in the carboy can vary greatly.



C771



C772



C773

NYLON HOP STRAINING BAG

Part No.	C771	C772	C773
Size	8" x 9"	8" x 15"	24" x 24"
Material	Nylon		
Weave type	1/1		
Thickness	About 0.11mm		
Weight	30g/m ²		
Width	1.27mm		

Features

- Mesh no- 100 mesh.
- For use with fresh or pelletised hops.
- Closable with string.



HOP & GRAIN STRAINING BAGS

Works great for your finishing hops.

Part No.	C163	C164
Product	Hop Straining Bag	Grain Straining Bag
Size	9" x 5"	13" x 11.5"
Material	Nylon Mesh	Nylon Mesh



Features

- Very easy to clean.
- For use with fresh or pelletised hops.
- Closable with string.



SMALL DOUBLE JIGGER

Part No. C551
Material Stainless Steel 304
Finish Stainless Steel



Features

- One side is 1 ounce and the other side is a 1/2 ounce (30/60).
- Double Jigger.
- Accuracy counts.
- A handy tool to have when mising works.



LARGE DOUBLE JIGGER

Part No. C552
Material Stainless Steel 304
Finish Stainless Steel



Features

- One side is 1 ounce and the other side is a 1/2 ounce (30/60).
- Double Jigger.
- Accuracy counts.
- A handy tool to have when mising works.



STAINLESS STEEL ICE BUCKETS WITH LID

Part No. C561
Material Stainless Steel 304
Finish Stainless Steel



Features

- Finish Brushed.
- Double wall design.
- Capacity 1-1/2 litres.
- Classic look.



BOTTLE CAP CATCHER

For temporary storage of bottle caps opened with bottle opener.

Part No. C573
Height Total Height 13"
 Basket Height 10"
Width 5-1/4"
Depth 3-1/8"
Material Stainless Steel 304
Finish Brushed



Features

- Has a professional brushed stainless steel finish.
- Works with the wall mounted bottle opener.
- Hang it from a bucket or hang it from your belt for maximum accessibility.
- Its flat design makes storage a no brainer! Don't pay more else where.



HAND-HELD BOTTLE OPENER

Part No. C570
Material Stainless Steel 304
Finish Stainless Steel

Features

- It has a full circle coined opener that helps you hook bottle caps and open them in the traditional method. Features a durable (bake on) powder coat finish. Made with thick gauge, stainless steel. A necessary addition to your bartending supplies at a great price.



HAND BOTTLE OPENER -PREMIUM

Part No. C590
Material Stainless Steel 304
Finish SS Polished



Features

- Grip handle resists slippage & provides the comfort needed for frequent use.
- Suitable for users from the apprentice to the demanding professional.



BOTTLE OPENER - WALL MOUNT

To open beer bottles.

Part No. C571
Material Stainless Steel 304
Finish SS Polished



Features

- With exposed screws.
- Stainless steel solid construction.
- Choice of Brushed or Polished Stainless steel finish.
- Great use in Kitchens, Bars, Hotel Rooms, Pubs etc.



BOTTLE OPENER - PREMIUM

To open beer bottles.

Part No. C572
Material Stainless Steel 304
Finish SS Polished



Features

- With concealed screws (included).
- Attach to nearly any surface with included mounting screws.
- Perfect tool for your home, bar, pub & restaurant.



COCKTAIL SHAKERS - STANDARD

To shake and blend cocktails.

Part No.	C160	C197	C198	C199	C161
Capacity	200ml	250ml	300ml	400ml	500ml
Material	Stainless Steel 304				
Finish	SS Polished				



Features

- With concealed screws (included).
- Rust resistant.
- Still Proof.
- Different sizes available.



SS MILK PITCHER

Part No.	C055	C056	C057	C058
Capacity	400ml	700ml	1000ml	1400ml
Material	Stainless Steel 304			
Finish	SS Polished			



Features

- Stainless Steel mirror polish finish.
- Easy to handle.



STAINLESS STEEL WINE COOLER (DOUBLE WALL)

Part No.	C783	C784
Finish	Brushed	SS Polished



Features

- SS with polished exterior.
- Double wall design provides superior insulation and prevents condensation on outside.
- Ice stays frozen for six hours.
- Inner wall each moulded from a single sheet of steel for leak proof design.



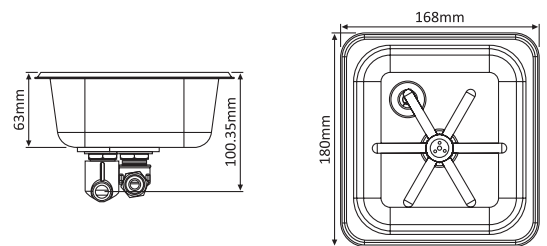
FLUSH-MOUNT FROTHING MILK PITCHER / GLASS RINSER

Part No.	C335
Inner Size	6" x 5.5" x 2.5"
Water Inlet	3/8" John Guest (Push in fitting)
Drain	1/2"
Material	Stainless Steel 304



Features

- Keep your pitchers/glasses clean and cool by locating the rinser next to your espresso machine or beer tower and in between uses give a blast of pressurized water to prepare for next drink preparation.
- You'll save water and time with a pitcher rinser on your espresso bar.
- Replacement parts are also available.
- No electricity required.





COUNTER TOP FROTHING MILK PITCHER / GLASS RINSER

Part No. C334
Inner Size 6" x 5.5" x 2.5"
Water Inlet 3/8" John Guest (Push in fitting)
Drain 1/2"
Material Stainless Steel 304



**COUNTER
TOP
MODEL**

Features

- Can be used to rinse cocktail shakers.
- Keep your pitchers / glasses clean and cool by locating the rinser next to your espresso machine or beer tower and in between uses give a blast of pressurised water to prepare for next drink preparation.
- You'll save water and time with a pitcher rinser on your espresso bar.
- Replacement parts are also available.

**CAN BE
USED TO
RINSE**



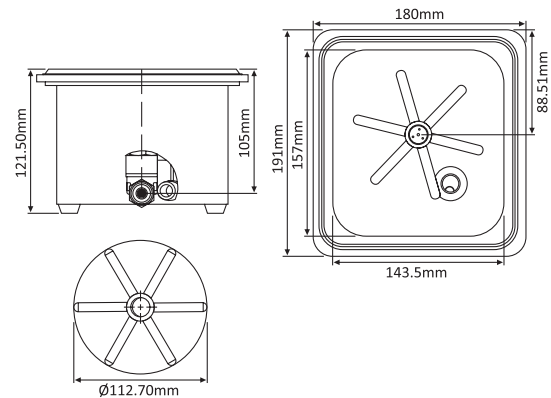
Cocktail Shaker



Beer Glass to make it Cold



Espresso Milk Pitcher



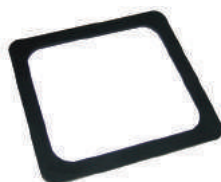
COUNTER TOP KNOCKBOX

Part No. C333
Material Stainless Steel 304
Weight 1613.75 grams
Height 131 mm
Length 180mm
Width 191 mm



Features

- Serve as a container of used coffee ground for simple and convenient disposal.



HUSH GASKET

Part No. C334.08
Material Rubber

Features

- Cuts noise that comes with the job.
- Hush gasket provide cushions between your knock box/Rinser and counter Top knock box.



RECESSED KNOCK BOX

Part No.	C433
Material	Stainless Steel 304
Weight	570.93 grams
Height	99 mm
Length	180 mm
Width	191 mm



Features

- Serve as a container of used coffee ground for simple and convenient disposal.



ESPRESSO COFFEE TAMPER

Base Material	Flat SS 303
Handle	Aluminium Powder Coated
Diameter	50-58mm
Diameter of Handle Top	41.90mm

Features

- Handle available in different colours.
- Laser logo imprinting facility available.
- Diameter of base as per the requirement.
- MOQ for each colour is 100pc.

Part No.	Size
C011	50MM
C011.51	51MM
C011.52	52MM
C011.53	53MM
C011.54	54MM
C011.55	55MM
C011.56	56MM
C011.57	57MM
C011.58	58MM



CLAMP CRIMPER - STANDARD (FULL FACE)

Part No. C100
Size 6"
Material Fully Hardened Steel

Features

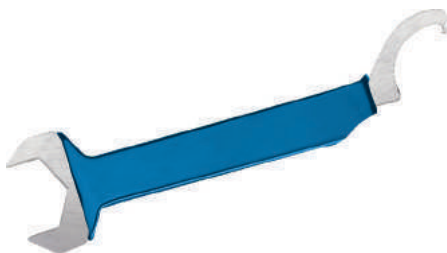
- Anti-slip Rubberized grip.



WRENCH

For Standard Faucet

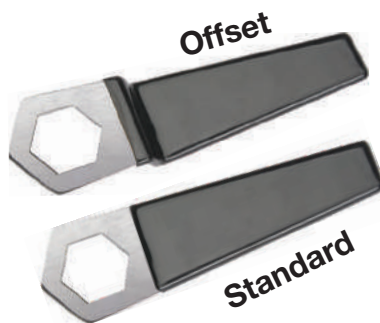
Part No. C187
Grip Red Vinyl
Material Fully Hardened Steel
Finish Plated



FAUCET & HEX NUT WRENCH

One end fits standard faucet coupling nut & other end fits 1" Hex Nut Fitting (US Beer Industry Standard)

Part No. C123
Length 7"
Grip Blue Vinyl
Material Fully Hardened Steel
Finish Plated



CO2 WRENCH

For Co2 Beer Regulator.

Part No.	C260	C261
Type	Offset	Standard
Grip	Vinyl	
Material	Fully Hardened Steel	
Finish	Plated	



DROP FORGED CO2 SPANNERS - DIN 894

Part No.	C178	C179
Size	30mm	32mm
Material	Chrome Vanadium	
Finish	Plated	



HOSE CUTTER

Part No	C482
Blade	Stainless Steel
Gripping	Plastic

Features

- It is used to cut PP pipes.
- Easy to use.



PUNCH BLADE ONLY

Part No.	C482.01
Blade	Stainless Steel

Features

- It is used to cut PP pipes.
- Easy to use.
- Replacement part of C482.

Part No.	Page No.	Part No.	Page No.	Part No.	Page No.	Part No.	Page No.	Part No.	Page No.	Part No.	Page No.	Part No.	Page No.
C001	K88	C074	-	C151	K72	C227	K30	C301	K35	C374	K43	C445	-
C002	K88	C075	K89	C152	K76	C228	K17	C302	K35	C375	K43	C446	K92
C003	K90	C076	K89	C153	K94	C229	K74	C303	K35	C376	K43	C447	-
C004	K90	C077	-	C154	K94	C230	K24	C304	K35	C377	K101	C448	-
C005	K90	C078	-	C155	K94	C231	K58	C305	K35	C378	K85	C449	K92
C006	-	C079	-	C156	K84	C232	K58	C306	K35	C379	K85	C450	-
C006RC	k45	C080	-	C157	K73	C233	K74	C307	K38	C380	K101	C451	K29
C006RG	k45	C081	-	C158	K76	C234	K36	C308	K38	C380.2	-	C452	-
C007	-	C082	-	C159	-	C235	K78	C309	K38	C380.3	-	C453	-
C0070C	k45	C083	-	C160	K108	C236	-	C310	K38	C381	K101	C454	-
C0070G	k45	C084	-	C161	K108	C237	K83	C311	K38	C382	K20	C455	-
C008	K24	C085	-	C162	K102	C238	K68	C312	K35	C383	K69	C456	-
C009	-	C086	-	C163	K105	C239	-	C313	K35	C384	K69	C457	K34
C010	-	C087	-	C164	K105	C240	K74	C314	K35	C385	K67	C458	-
C011	-	C088	-	C165	K96	C241	K45	C315	K35	C385B	-	C459	-
C012	K41	C089	-	C166	K96	C242	K45	C316	K35	C386	K67	C460	K51
C013	K41	C090	-	C167	K98	C243	K46	C317	-	C386B	-	C461	K51
C014	-	C091	-	C168	-	C244	K46	C318	K37	C387	K67	C462	K51
C015	-	C092	-	C169	K98	C245	K24	C319	K37	387B	-	C463	K51
C016	K92	C093	-	C170	K98	C246	K74	C320	K37	C388	K67	C464	K52
C017	K95	C094	-	C171	K96	C247	-	C321	K37	C388B	-	C465	K52
C018	K38	C095	-	C172	K75	C248	K98	C322	K37	C389	K101	C466	K52
C019	K41	C096	-	C173	K5	C249	K100	C323	K37	C390	K20	C467	-
C020	K78	C097	-	C174	K5	C250	K56	C324	K37	C391	K86	C468	-
C021	K78	C098	-	C175	K6	C251	K77	C325	-	C392	K20	C469	K43
C022	K78	C099	-	C176	K6	C252	K77	C326	K37	C393	K68	C470	K43
C023	-	C100	K112	C177	-	C253	-	C327	K37	C394	K68	C471	-
C024	-	C101	K74	C178	K113	C254	-	C328	K37	C395	K86	C472	-
C025	-	C102	K74	C179	K113	C254G	-	C329	K37	C396	K72	C473	-
C026	-	C103	K74	C180	-	C255	K56	C330	K37	C397	K69	C474	-
C027	K78	C104	K74	C181	K80	C256	K26	C331	K37	C398	K77	C475	-
C028	-	C105	K74	C182	K32	C257	K34	C332	K37	C399	K73	C476	-
C029	K52	C106	K56	C183	K26	C258	K17	C333	K110	C400	K83	C477	-
C030	-	C107	K56	C184	K40	C259	K88	C334	K110	C401	-	C478	-
C031	-	C108	K56	C185	K40	C260	K112	C334.04	K52	C402	-	C479	-
C032	-	C109	K95	C186	K40	C261	K112	C334.08	K110	C403	-	C480	K85
C033	-	C110	K73	C187	K112	C262	K58	C335	K109	C404	-	C480.01	K86
C034	-	C111	K73	C188	K78	C263	K43	C336	K37	C405	-	C481	-
C035	-	C112	K93	C189	K78	C264	K43	C337	K37	C406	-	C482	K113
C036	-	C113	K93	C190	K40	C265	K43	C338	-	C407	-	C482.01	K113
C037	-	C114	K77	C191	-	C266	K43	C339	K37	C408	-	C483	K71
C038	K91	C115	K95	C192	K65	C267	K43	C340	-	C409	-	C484	K71
C039	K91	C116	K80	C193	K80	C268	K43	C341	K38	C410	K92	C485	K67
C040	K91	C117	K26	C194	K93	C269	K83	C342	K35	C411	K90	C486	K67
C041	-	C118	K95	C195	K93	C270	K65	C343	K35	C412	K90	C487	K67
C042	K18	C119	K48	C196	K93	C271	-	C344	K36	C413	K90	C488	K67
C043	-	C120	K40	C197	K108	C272	K28	C345	-	C414	K87	C489	K66
C044	-	C121	-	C198	K108	C273	K5	C346	K36	C415	-	C490	K21
C045	-	C122	-	C199	K108	C274	K6	C347	K36	C416	-	C491	-
C046	-	C123	K112	C200	K94	C275	K6	C348	K36	C417	K46	C492	K20
C047	-	C124	-	C201	K23	C276	-	C349	K37	C418	-	C493	K20
C048	-	C125	K39	C201.07	K23	C277	K104	C350	-	C419	K48	C494	K20
C049	-	C126	K39	C202	K23	C278	-	C351	-	C420	-	C495	-
C050	-	C127	K39	C203	K23	C278G	-	C352	-	C421	K91	C496	K20
C051	-	C128	K48	C204	K35	C279	-	C353	-	C422	K91	C497	-
C052	-	C129	K48	C205	K24	C280	-	C354	K35	C423	K91	C498	K78
C053	-	C130	K38	C206	K24	C281	K96	C355	K35	C424	K92	C499	-
C054	-	C131	K56	C207	K56	C282	K83	C356	K36	C425	K36	C500	K17
C055	K108	C132	K56	C208	K56	C283	K26	C357	K36	C426	K37	C501	K5
C056	K108	C133	K88	C209	-	C284	K47	C358	K36	C427	K79	C502	K6
C057	K108	C134	K77	C210	-	C285	K74	C359	K51	C428	K79	C503	-
C058	K108	C135	K77	C211	K26	C286	K74	C360	K53	C429	K91	C504	-
C059	K18	C136	K73	C212	K36	C287	K74	C360.1	-	C430	K91	C505	-
C060	K18	C137	K76	C213	K36	C288	K36	C360.50	K54	C431	-	C506	K17
C061	K18	C138	K53	C214	K36	C289	K36	C361	K28	C432	-	C507	K17
C062	K18	C139	K51	C215	K83	C290	K36	C362	K24	C433	-	C508	K6
C063	-	C140	K78	C216	K56	C291	K36	C363	K72	C434	K77	C509	K8
C064	K53	C141	K54	C217	K83	C292	-	C364	K67	C435	K18	C510	K8
C065	-	C142	-	C218	K97	C293	-	C365	K77	C436	K74	C511	-
C066	-	C143	-	C219	K96	C294	-	C366	K87	C437	K74	C512	K4
C067	-	C144	-	C220	K56	C294G	-	C367	K101	C438	K74	C513	-
C068	-	C145	K56	C221	K94	C295	K89	C368	K70	C439	-	C514	-
C069	-	C146	-	C222	K94	C296	K89	C369	K70	C440	-	C515	K11
C070	K78	C147	-	C223	K94	C297	-	C370	-	C441	K74	C516	K16
C071	K89	C148	K98	C224	K56	C298	-	C371	K43	C442	K74	C517	K16
C072	-	C149	K55	C225	K78	C299	K84	C372	K43	C443	-	C518	K16
C073	-	C150	K72	C226	K30	C300	K36	C373	K43	C444	-	C519	-

PRODUCT REFERENCE



Part No.	Page No.	Part No.	Page No.	Part No.	Page No.	Part No.	Page No.	Part No.	Page No.	Part No.	Page No.
C520	K16	C591	-	C668	K42	C739	K32	C816	K46	C893	-
C521	K16	C592	K17	C669	K42	C740	-	C817	K50	C894	-
C522	K16	C593	K4	C670	K42	C741	-	C818	K50	C895	-
C523	K7	C594	-	C671	K42	C742	K63	C819	K50	C896	-
C524	-	C595	-	C672	K42	C743	-	C820	-	C897	-
C525	K79	C596	K21	C673	K42	C744	K64	C821	-	C898	-
C526	K79	C597	-	C674	K42	C745	K64	C822	K96	C899	K85
C527	-	C598	-	C675	K42	C746	-	C823	-	C900	-
C528	K48	C599	K76	C676	K42	C747	-	C824	K57	C901	-
C529	K4	C600	K76	C677	K42	C748	-	C825	-	C902	-
C530	K11	C601	K76	C678	K42	C749	-	C826	K4	C903	-
C531	K14	C602	K50	C679	K42	C750	K101	C827	K4	C904	-
C532	K14	C603	K75	C680	K42	C751	K99	C828	-	C905	-
C533	K12	C604	K51	C681	K42	C752	K99	C829	K48	C906	-
C533G	-	C605	K51	C682	K42	C753	K99	C830	-	C907	-
C534	K12	C606	K50	C683	K42	C754	-	C831	-	C908	-
C534G	-	C607	K50	C684	K42	C755	-	C832	K80	C909	-
C535	-	C608	K50	C685	K42	C756	-	C833	K81	C910	-
C536	-	C609	K50	C686	K46	C757	K66	C834	K81	C911	-
C537	-	C610	K54	C687	K46	C758	-	C835	K81	C912	-
C538	-	C611	K50	C688	K46	C759	-	C836	K81	C913	-
C539	K4	C612	K50	C689	K46	C760	-	C837	K82	C914	-
C540	K7	C613	K50	C690	K42	C761	-	C838	-	C915	-
C541	K18	C614	K50	C691	K42	C762	K97	C839	-	C916	K100
C542	K18	C615	K50	C692	K42	C763	K97	C840	-	C917	-
C543	K18	C616	K50	C693	K42	C764	K19	C841	-	C918	K100
C544	K65	C617	K50	C694	K42	C765	-	C842	-	C919	K100
C545	K32	C618	K50	C695	K42	C766	-	C843	-	C920	-
C546	K84	C619	K50	C696	K46	C767	K97	C844	-	C921	K35
C547	K70	C620	K50	C697	K40	C768	-	C845	-	C922	K35
C548	K89	C621	K75	C698	K87	C769	-	C846	-	C923	K12
C549	K89	C622	K51	C699	-	C770	K56	C847	-	C924	-
C550	-	C623	K51	C700	K85	C771	K105	C848	-	C925	-
C551	K106	C624	K50	C701	K63	C772	K105	C849	-	C926	-
C552	K106	C625	K50	C701B	-	C773	K105	C850	K99	C927	-
C553	K3	C626	K50	C702	K30	C774	-	C851	-	C928	K36
C554	-	C627	K50	C703	K63	C775	-	C852	-	C929	-
C555	-	C628	K50	C703B	-	C776	-	C853	-	C930	-
C556	-	C629	K50	C704	K64	C777	-	C854	-	C931	-
C557	-	C630	K50	C704B	-	C778	-	C855	K68	C932	-
C558	-	C631	K50	C704BJ	-	C779	-	C856	K70	C933	-
C559	K7	C632	K50	C705	K64	C780	-	C857	K70	C934	-
C560	-	C633	K51	C705B	-	C781	-	C858	-	C935	-
C561	K106	C634	K51	C706	K75	C782	-	C859	-	C936	-
C562	-	C635	-	C707	K93	C783	K108	C860	-	C937	-
C563	-	C636	-	C708	K19	C784	K108	C861	-	C938	-
C564	K3	C637	-	C709	K45	C785	K69	C862	-	C939	-
C565	-	C638	-	C710	K35	C786	-	C863	K71	C940	-
C566	-	C639	K52	C711	K103	C787	-	C864	-	C941	-
C567	-	C640	K57	C712	K62	C788	-	C865	K66	C942	-
C568	-	C641	K52	C713	K65	C789	-	C866	-	C943	K87
C569	K5	C642	K52	C714	-	C790	-	C867	-	C944	-
C570	K107	C643	-	C715	K61	C791	-	C868	K6	C945	-
C571	K107	C644	-	C716	-	C792	-	C869	K6	C946	-
C572	K107	C645	K79	C717	K103	C793	-	C870	-	C947	-
C573	K106	C646	K50	C718	K103	C794	K68	C871	-	C948	-
C574	-	C647	-	C719	K19	C795	-	C872	-	C949	-
C575	-	C648	-	C720	K103	C796	-	C873	-	C950	-
C576	-	C649	-	C721	-	C797	-	C874	-	C951	-
C577	-	C650	-	C722	K45	C798	-	C875	-	C952	K104
C578	-	C651	-	C723	K60	C799	-	C876	-	C953	K54
C579	-	C652	-	C724	-	C800	K58	C877	-	C954	K54
C580	-	C653	-	C725	K30	C801	K55	C878	-	C955	K54
C581	-	C654	-	C726	-	C802	-	C879	-	C956	K8
C582	K13	C655	K84	C726G	-	C803	K55	C880	-	C957	K9
C583	-	C656	K84	C727	-	C804	K64	C881	-	C958	K54
C583G	-	C657	-	C728	-	C805	K64	C882	-	C959	K54
C584	-	C658	-	C729	-	C806	-	C883	-	C960	-
C584G	-	C659	-	C730	K28	C807	-	C884	-	C961	-
C585	-	C660	-	C731	-	C808	-	C885	K40	C962	-
C586	K13	C661	K75	C732	-	C809	K50	C886	-	C963	-
C587	-	C662	-	C733	K79	C810	K74	C887	-	C964	-
C588	-	C663	K76	C734	K12	C811	-	C888	-	C965	-
C588G	-	C664	-	C735	-	C812	K80	C889	K102	C966	-
C589	-	C665	-	C736	-	C813	K75	C890	-	C967	-
C589G	-	C666	-	C737	K63	C814	K75	C891	-	C968	-
C590	K107	C667	-	C738	K63	C815	-	C892	-	C969	-

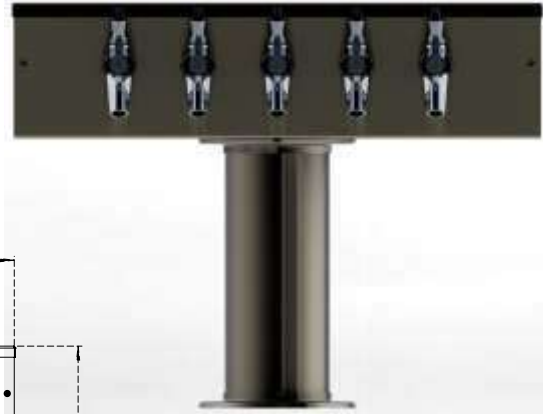
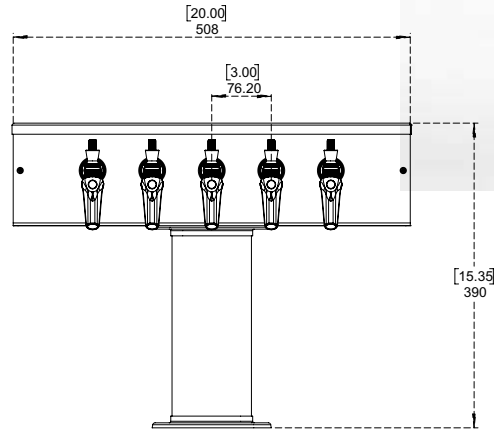


BAR and BEVERAGE Dispensing

North America

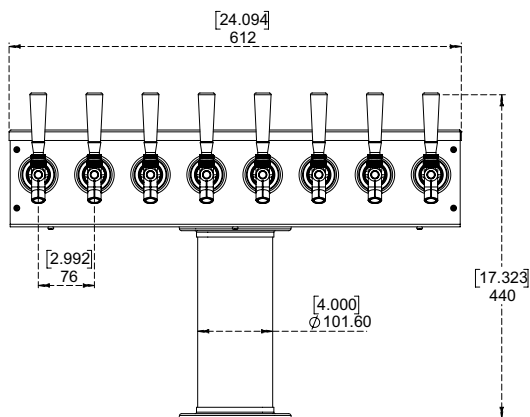
Additional Products Catalogue 2019

T Towers



C1385

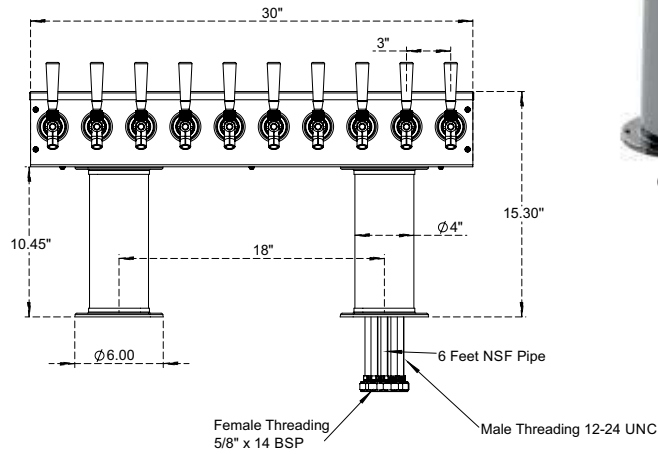
Part#	Product Name	Faucets	Finish
C1303	4" T Tower - 3 Faucets - Brushed Stainless - Glyco Cold Technology	3	Brushed Stainless
C1304	4" T Tower - 4 Faucets - Brushed Stainless- Glyco Cold Technology	4	Brushed Stainless
C1385	4" T Tower - 5 Faucets - Brushed Stainless - Glyco Cold Technology	5	Brushed Stainless
C1308	4" T Tower - 8 Faucets - Brushed Stainless- Glyco Cold Technology	8	Brushed Stainless
C1374	4" T Tower - 8 Faucets - Brushed Stainless - Glyco Cold Technology	8	Brushed Stainless
C1004	4" T Tower - 10 Faucets - Brushed Stainless - Glyco cold Technology	10	Brushed Stainless
C1006	4" T Tower - 12 Faucets - Brushed Stainless - Double Pedestal - Glyco Cold Technology	12	Brushed Stainless



C558

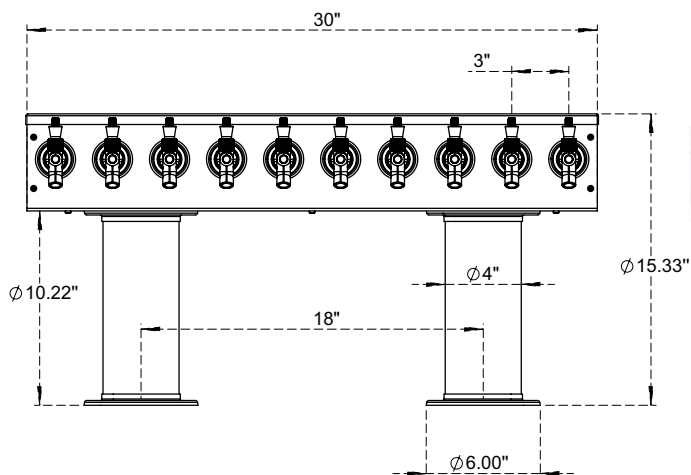
Part#	Product Name	Faucets	Finish
C1034	T Tower - 4 Flow Control Tap - Brushed Stainless - Air Cooled	4	Brushed Stainless
C1005	T Tower - 5 Faucets - Brushed Stainless - Air Cooled	5	Brushed Stainless
C1035	T Tower - 6 Flow Control Tap - Brushed Stainless - Air Cooled	6	Brushed Stainless
C558	T Tower - 8 Faucets - Brushed Stainless - Air Cooled	8	Brushed Stainless

T Towers



C1001

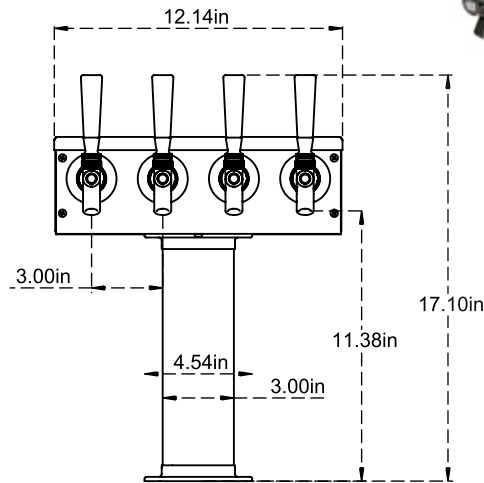
Part#	Product Name	Faucets	Finish
C1001	4" T Tower - 10 Faucets - Brushed Stainless - Double Pedestal - Air cooled	10	Brushed Stainless
C1003	4" T Tower - 12 Faucets - Brushed Stainless - Double Pedestal - Air Cooled	12	Brushed Stainless



C1000

Part#	Product Name	Faucets	Finish
C1000	T Tower - 10 Faucets - Brushed Stainless - Double Pedestal - Glycol Recirculation Loop	10	Brushed Stainless
C1002	T Tower - 12 Faucets - Brushed Stainless - Double Pedestal - Glyco Recirculation Loop	12	Brushed Stainless

T Towers



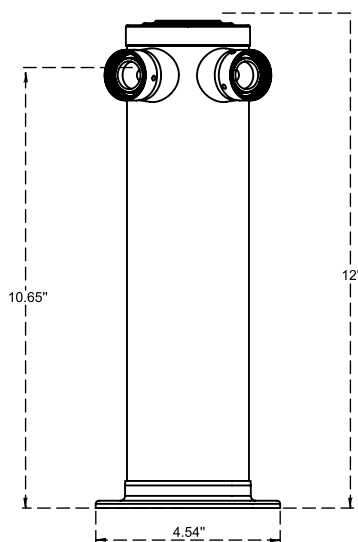
C1510

Part#	Product Name	Faucets	Finish
C1510	3" T Tower - 4 Faucets- SS Polished with 100% Stainless Steel Contact- Air Cooled	4	SS Polished

Column Towers

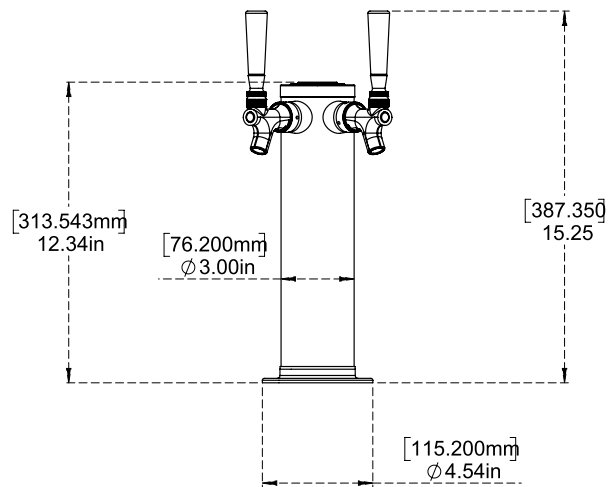


C1268



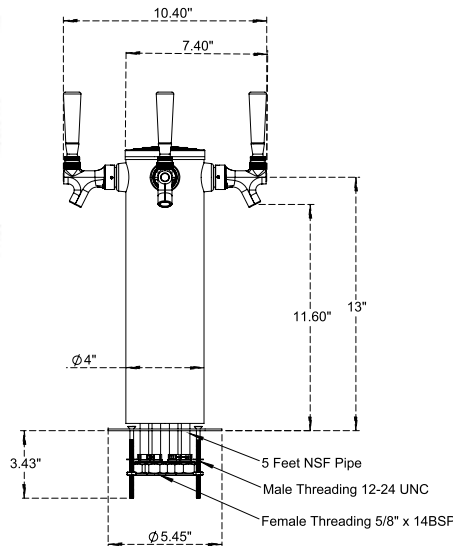
Part#	Product Name	Faucets	Finish
C1268	3" Column Beer Tower – 2 Faucets – SS Polished – Glyco Cold Technology (Without faucet)	2	SS Polished
C1269	4" Column Beer Tower – SS Polished – Glyco Cold Technology (without faucet)	3	SS Polished

Column Towers



C1032

Part#	Product Name	Faucets	Finish
C1031	3" Column Beer Tower - 1 Faucets with 100% SS Contact - Brushed Stainless - Air Cooled	1	Brushed Stainless
C1173	3" Column Tower - 1 Faucets With 1/4" Column Shank - Air Cooled	1	SS Polished
C1032	3" Column Beer Tower - 2 Faucets with 100% SS Contact - Brushed Stainless - Air Cooled	2	Brushed Stainless
C1552	3" Column Tower - 2 Faucets with illumination- Air Cooled	2	Brushed Stainless
C1033	3" Column Beer Tower - 3 Faucets with 100% SS Contact - Brushed Stainless - Air Cooled	3	Brushed Stainless



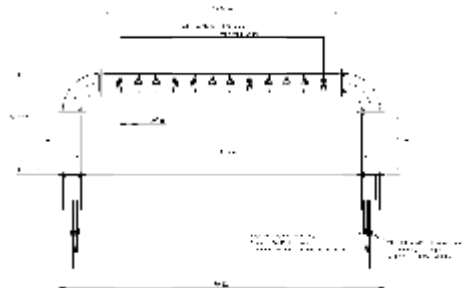
Column Towers



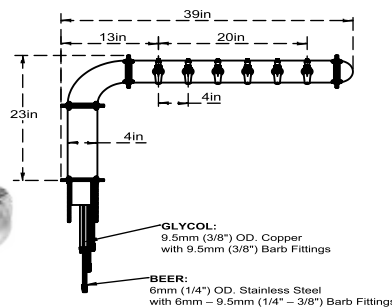
C1069

Part#	Product Name	Faucets	Finish
C1523	4" Column Tower - 3 Faucets with 1/4" Column Shank and 3/16" Tubing - Air Cooled	3	SS Polished
C2020	4" Column Tower - 3 Flow Control Taps - Air Cooled	3	SS Polished
C1069	4" Column Beer Tower - 4 Faucets at 90 Degree Angle - SS Polished - Air Cooled	4	SS Polished
C1541	4" Column Tower - 4 Faucets with 1/4" Column shank - Air Cooled	4	SS Polished

BrewXpipe Bridge Towers



Part#	Product Name	Faucets	Finish
C1118	BrewXpipe Tower - 8 Faucets - Brushed Stainless - Glyco Cold Technology	8	Brushed Stainless
C1085	BrewXpipe Tower - 8 Faucets - SS Polished - Glyco Cold Technology	8	SS Polished
C1119	BrewXpipe Tower - 10 Faucets - Brushed Stainless - Glyco Cold Technology	10	Brushed Stainless
C1086	BrewXpipe Tower - 10 Faucets - SS Polished - Glyco Cold Technology	10	SS Polished
C1120	BrewXpipe Tower - 12 Faucets - Brushed Stainless - Glyco Cold Technology	12	Brushed Stainless
C1087	BrewXpipe Tower - 12 Faucets - SS Polished - Glyco Cold Technology	12	SS Polished



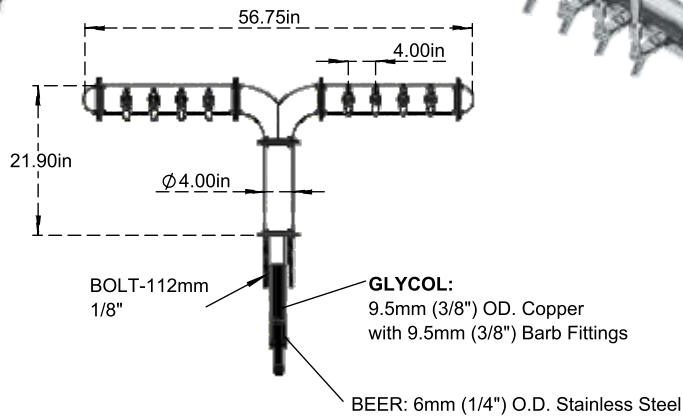
C1099

BrewXpipe Elbow Tower



Part#	Product Name	Faucets	Finish
C1097	BrewXpipe Elbow Tower - 3 Faucets - Brushed Stainless - Glyco Cold Technology	3	Brushed Stainless
C1088	BrewXpipe Elbow Tower - 3 Faucets - SS Polished - Glyco Cold Technology	3	SS Polished
C1098	BrewXpipe Elbow Tower - 4 Faucets - Brushed Stainless - Glyco Cold Technology	4	Brushed Stainless
C1089	BrewXpipe Elbow Tower - 4 Faucets - SS Polished - Glyco Cold Technology	4	SS Polished
C1099	BrewXpipe Elbow Tower - 6 Faucets - Brushed Stainless - Glyco Cold Technology	6	Brushed Stainless
C1090	BrewXpipe Elbow Tower - 6 Faucets - SS Polished - Glyco Cold Technology	6	SS Polished

BrewXpipe Wing Tower



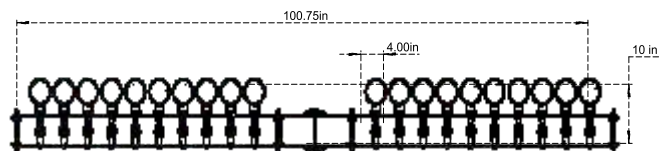
C1092

Part#	Product Name	Faucets	Finish
C1104	BrewXpipe Wing Tower - 6 Faucets - Brushed Stainless - Glyco Cold Technology	6	Brushed Stainless
C1091	BrewXpipe Wing Tower - 6 Faucets - SS Polished - Glyco Cold Technology	6	SS Polished
C1105	BrewXpipe Wing Tower - 8 Faucets - Brushed Stainless - Glyco Cold Technology	8	Brushed Stainless
C1092	BrewXpipe Wing Tower - 8 Faucets - SS Polished - Glyco Cold Technology	8	SS Polished

BrewXpipe Wall Towers

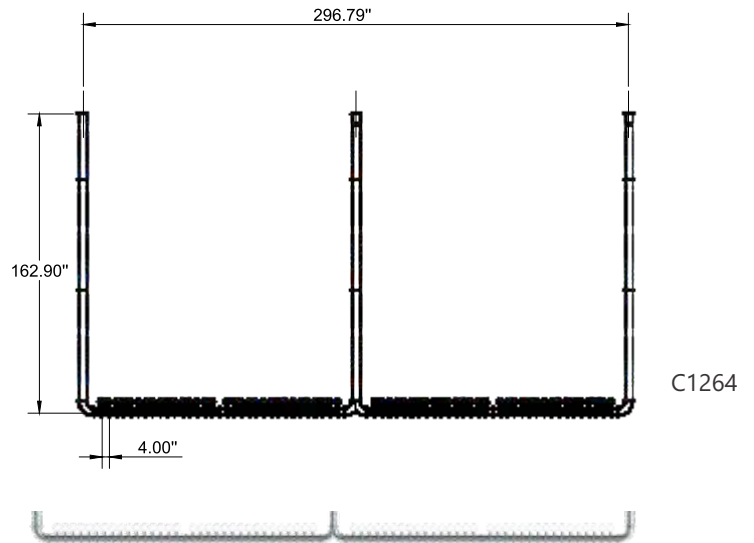


C1095



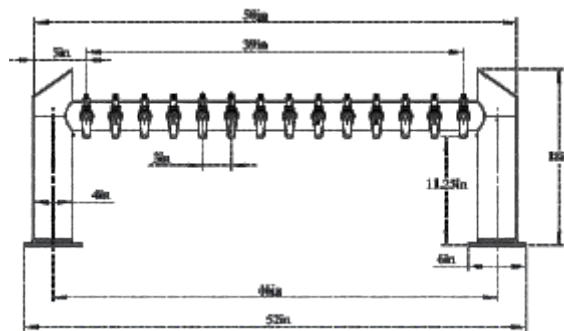
Part#	Product Name	Faucets	Finish
C1095	BrewXpipe Wall Tower - 20 Faucets - Brushed Stainless - Glyco Cold Technology	20	Brushed Stainless
C1093	BrewXpipe Wall Tower - 20 Faucets - SS Polished - Glyco Cold Technology	20	SS Polished
C1224	BrewXpipe Wall Tower - 24 Faucets - SS Polished - Glyco Cold Technology	24	SS Polished
C1096	BrewXpipe Wall Tower - 40 Faucets - Brushed Stainless - Glyco Cold Technology	40	Brushed Stainless
C1094	BrewXpipe Wall Tower - 40 Faucets - SS Polished - Glyco Cold Technology	40	SS Polished

BrewXPipe Ceiling Tower



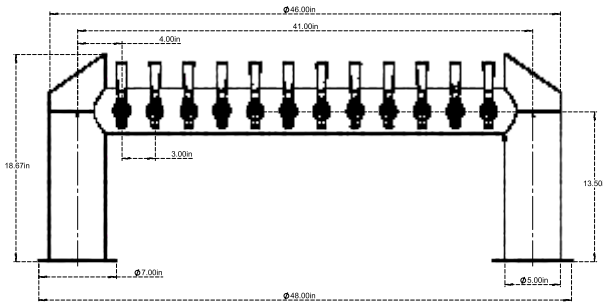
Part#	Product Name	Faucets	Finish
C1265	BrewXpipe Ceiling Tower - 64 Faucets - Brushed Stainless - Glyco Cold Technology	64	Brushed Stainless
C1264	BrewXpipe Ceiling Tower - 64 Faucets - SS Polished - Glyco Cold Technology	64	SS Polished

Over Pass Towers



Part#	Product Name	Faucets	Finish
C1408	Overpass Tower - 8 Faucets - SS Polished - Glyco Cold Technology	8	SS Polished
C1410	Overpass Tower - 10 Faucets - SS Polished - Glyco Cold Technology	10	SS Polished
C1412	Overpass Tower - 12 Faucets - SS Polished - Glyco Cold Technology	12	SS Polished
C1414	Overpass Tower - 14 Faucets - SS Polished - Glyco Cold Technology	14	SS Polished
C1416	Overpass Tower - 16 Faucets - SS Polished - Glyco Cold Technology	16	SS Polished

Over Pass Towers

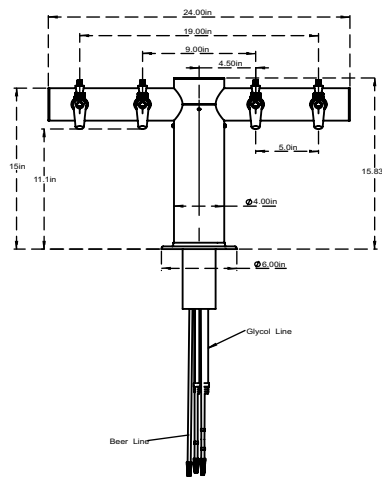


C1407

Part#	Product Name	Faucets	Finish
C1404	Overpass Tower - 6 Faucets - SS Polished - Air Cooled	6	SS Polished
C1405	Overpass Tower - 8 Faucets - SS Polished - Air Cooled	8	SS Polished
C1406	Overpass Tower - 10 Faucets - SS Polished - Air Cooled	10	SS Polished
C1407	Overpass Tower - 12 Faucets - SS Polished - Air Cooled	12	SS Polished

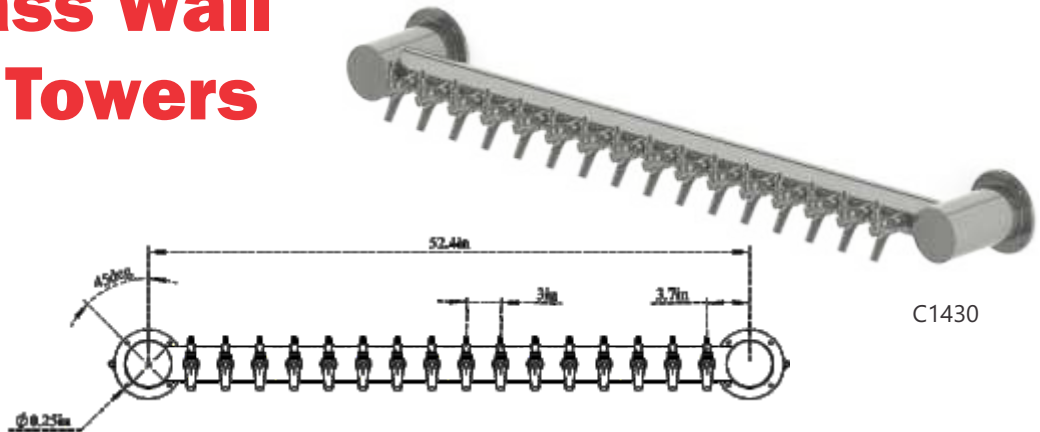


C1433



Part#	Product Name	Faucets	Finish
C1433	Overpass T Towers - 4 Faucets - SS Polished - Glyco cold Technology	4	SS Polished
C1434	Overpass T Towers - 6 Faucets - SS Polished - Glyco cold Technology	6	SS Polished
C1435	Overpass T Towers - 8 Faucets - SS Polished - Glyco cold Technology	8	SS Polished
C1436	Overpass T Towers - 10 Faucets - SS Polished - Glyco cold Technology	10	SS Polished

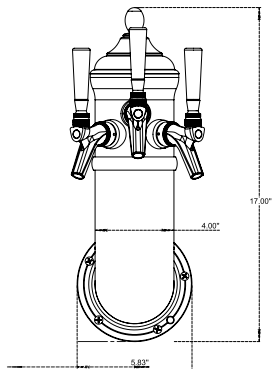
Overpass Wall mount Towers



C1430

Part#

Part#	Product Name	Faucets	Finish
C1425	Overpass Wall Mount Tower - 6 Faucets - SS Polished - Glyco Cold Technology	6	SS Polished
C1426	Overpass Wall Mount Tower - 8 Faucets - SS Polished - Glyco cold Technology	8	SS Polished
C1427	Overpass Wall Mount Tower - 10 Faucets - SS Polished - Glyco cold Technology	10	SS Polished
C1428	Overpass Wall Mount Tower - 12 Faucets - SS Polished - Glyco cold Technology	12	SS Polished
C1429	Overpass Wall Mount Tower - 14 Faucets - SS Polished - Glyco cold Technology	14	SS Polished
C1430	Overpass Wall Mount Tower - 16 Faucets - SS Polished - Glyco cold Technology	16	SS Polished



C1205

Wall Lamp Tower

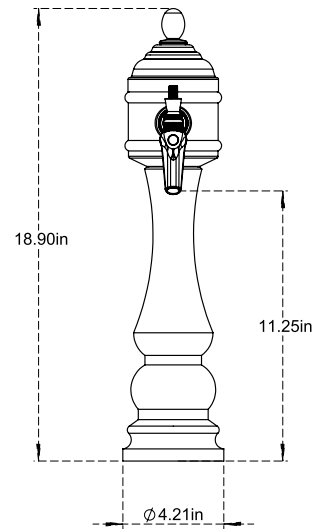


Part#	Product Name	Faucets	Finish
C1200	Wall lamp Beer Tower - 1 Faucets - SS Polished - Air Cooled	1	SS Polished
C1203	Wall lamp Beer Tower - 1 Faucets - Vibrant Gold Finish - Air Cooled	1	Vibrant Gold
C1201	Wall lamp Beer Tower - 2 Faucets - SS Polished - Air Cooled	2	SS Polished
C1204	Wall lamp Beer Tower - 2 Faucets - Vibrant Gold Finish - Air Cooled	2	Vibrant Gold
C1202	Wall lamp Beer Tower - 3 Faucets - SS Polished - Air Cooled	3	SS Polished
C1205	Wall lamp Beer Tower - 3 Faucets - Vibrant Gold Finish - Air Cooled	3	Vibrant Gold

Epic Tower



C1044

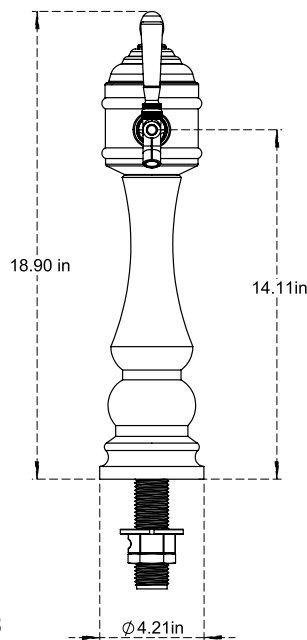


Part#	Product Name	Faucets	Finish
C1044	Epic Tower - 1 Faucet - Chrome Plated Brass - Glyco Cold Technology	1	Brass
C1045	Epic Tower - 1 Faucet - Vibrant gold Finish - Glyco Cold Technology	1	Vibrant Gold

Epic Tower

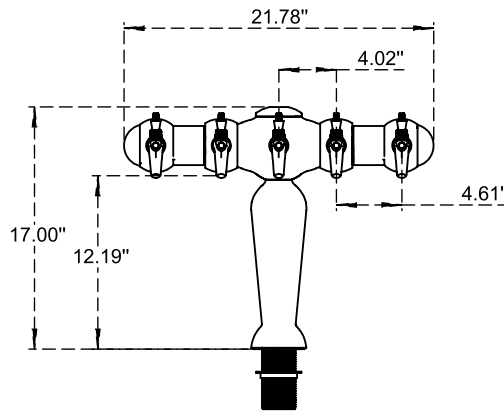


C1043



Part#	Product Name	Faucets	Finish
C1042	Epic Tower - 1 Faucet - Chrome Plated Brass - Air Cooled	1	Chrome Plated
C1043	Epic Tower - 1 Faucet - Vibrant Gold Finish - Air Cooled	1	Vibrant Gold

Inspire Tower



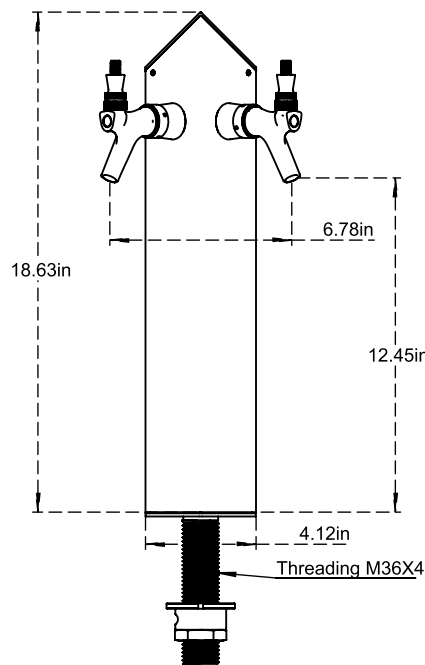
C1525

Part#	Product Name	Faucets	Finish
C1533	Inspire Tower - 3 Faucets - Chrome Plated Brass - Glyco Cold Technology	3	Chrome Plated Brass
C1525	Inspire Tower - 5 Faucets - Chrome Plated Brass - Glyco Cold Technology	5	Chrome Plated Brass
C1527	Inspire Tower -7 Faucets - SS Polished - Glyco Cold Technology	7	SS Polished
C1537	Inspire Tower - 7 Faucets - Chrome Plated Brass - Glyco Cold Technology	7	Chrome Plated Brass

Square Tower

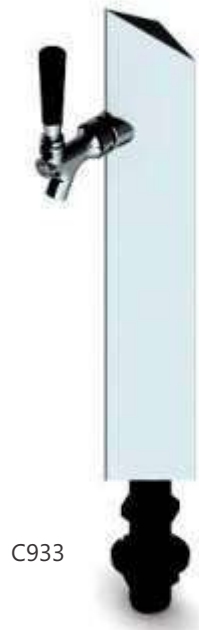
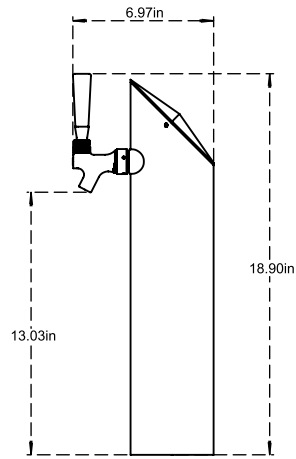


C946



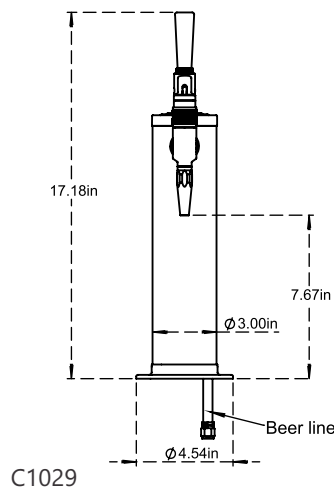
Part#	Product Name	Faucets	Finish
C945	Sublime Tower – 1 Faucets – Chrome Plated – Glyco Cold Technology	1	Chrome Plated Brass
C946	Sublime Tower – 2 Faucets -Chrome Plated – Glyco Cold Technology	2	Chrome Plated Brass

Square Tower



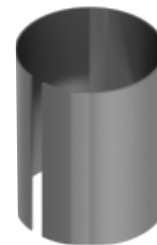
Part#	Product Name	Faucets	Finish
C933	Sublime Tower - Single Faucet - SS Polished - Air Cooled	1	SS Polished

Cold Brew Beer Tower



Part#	Product Name	Faucets	Finish
C1029	Cold Brew Beer Tower - 1 Faucet With - 100% SS Contact - SS Polished - Air Cooled	1	SS Polished
C1030	Cold Brew Beer Tower - 2 Faucets - With 100% SS Contact - SS Polished - Air Cooled	2	SS Polished

Tower Mounting Extensions



C2515



C2516



C2518

Part#	Product Name	Size	Finish
C2515	5" Inch Height Extender for 3" Tower - SS Polished	5"	SS Polished
C2516	5" Inch Height Extender for 3" Tower - Brushed Copper	5"	Brushed Copper
C2517	5" Inch Height Extender for 3" Tower - Brushed SS	5"	Brushed Stainless
C2518	2" Inch Height Extender for 3" Tower - SS Polished	2"	SS Polished

Beer Tower Accessories



C2499

Part#	Product Name
C2499	Beer System SS 304 Custom Table With Granite/Dupout Top



C2501

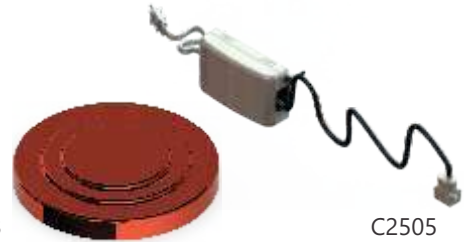


C2502

Part#	Product Name
C2501	Thru Counter Tower Nipple for Floded Python
C2502	Thru Counter Tower Nipple for Floded Python - Small



C2525



C2503

C2505

Part#	Product Name
C2503	3" Tower Cap Copper Finish
C2505	220 V Transformer for LED illumination

Part#	Product Name	Material	Finish
C2525	2.5" base screw cover Flange	Stainless Steel	SS Polished
C2530	3" base screw cover Flange	Stainless Steel	SS Polished



C2634



C2561

Part#	Product Name
C2561	3" Tower Base Converter For Thru Counter Connection"
C2634	4" Wide x 20 Meters Aluminum Foil Tape 30 Micron

Beer Shanks



C825



C648

Part#	Product Name
C648	Column Shank Assembly With Big Nipple
C649	SS Column Shank Assembly With Big Nipple
C657	PVD Brass Column Shank Assembly -3/16" bore ID x 1.75" long (short nipple)
C825	Column Shank Assembly For Square Tower

Medallion



C497

Part#	Product Name
C497	Budweiser Medallion - 80 mm



C352

Part#	Product Name
C352	Ice Becks Medallion - 80 mm

Beer Tap Handles



C3510



C3511

Part#	Product Name
C3510	Standard Chrome Plated Brass Knob-PVD
C3511	Stout Tap Knob

Beer Shanks



C903

Part#	Product Name
C903	3" Special Shank For Jockey Box
C910	3" Special Shank For Jockey Box – Plated Brass



C418

Part#	Product Name
C3065	3-1/2" Nipple Shank Assembly with MFL Fitting
C3066	4-1/2" Nipple Shank Assembly with MFL Fitting
C3124	SS Nipple Shank 4-1/2" Bore 3/16"
C403	Nipple Shank With C.P Straight Flange
C418	2-1/2" SS Nipple Shank With 3/16" Bore With SS Flange



C338

Part#	Product Name
C338	SS European Shank (Without Locking Nut) - 1/4" Bore x 2" long
C345	Stainless Steel Shank With John Guest Push In Fitting (Tube OD : 3/16")
C440	Stainless Steel Beer Shank Assembly 1/4" Bore x 6 -1/8" (GROOVED)
C3234	SS Standard Anti Rotation Shank- 5-1/8 - 1/4" Bore
C2270	1-1/2" SS Shank (5/8" BSP) with 5/16" JG fitting Assembly



C792



C849

Part#	Product Name
C792	Coil Cooler Wall Coupling - Chrome Plated Brass 3" Ice Box Assembly With 3/8" Bore
C3017	Stainless Steel Shank 1/2" X 1/2"
C3142	10-1/8" Stainless Steel Shank 304 Shank x 1/4" Bore
C849	Growler Filler ABS Spout For Mini Keg - 5 Litre



C666

Part#	Product Name
C276	Spanish Beer Tap Shank
C325	Square Tower Flat Flange Shank Assembly
C658	PVD Vibrant Gold Colour Shank Assembly (SHORT NIPPLE) - 3/16bore ID X 1.75" long
C666	3-1/8" Standard Shank (1/4" Bore) with 3/8" Tubing JG Fitting
C915	24" Wall Mount Shank Assembly with Flow Control Tap



C2666



C2667

Part#	Product Name	Material	Finish
C2666	4" Stainless Steel Column Shank Assembly 3/16" Bore	Stainless Steel	Brushed Stainless
C2667	4" Stainless Steel Column Shank Assembly 3/16" Bore	Stainless Steel	Vibrant Gold
C2668	Chrome Plated Brass 4" Column Shank Assembly - 3/16" Bore ID x 1.75" long	Brass	Chrome Plated
C2669	Chrome Plated Brass 4" Column Shank Assembly - 3/16" Bore ID x 1.75" long	Brass	Vibrant Gold

Drip Tray

Counter Top

Universal Consideration
Drip Tray



C052

Part#	Product Name
C797	Universal Consideration Drip Tray Stainless Steel
C798	Universal Consideration Drip Tray Golden
C052	Universal Condensation drip tray Plastic



C063

Part#	Product Name
C063	Counter top iced tower tray - 410mm x 410mm

Deep Drip Tray



C4000

Part#	Product Name
C4000	5.7" x 4.6" Deep Drip Tray – Brushed Stainless – Without Drain
C4001	9.5" x 5.6" Deep Drip Tray – Brushed Stainless – Without Drain

Plastic Drip Tray

C4005



Part#	Product Name
C4004	25cm X 16cm Plastic Drip Tray - without drain
C4005	30cm X 18cm Plastic Drip Tray - without drain

Aluminium Drip Tray



C4006

Part#	Product Name
C4006	12"x 7" Aluminium Drip Tray (Brushed Copper)

Flush Mount Drip Tray



C4007

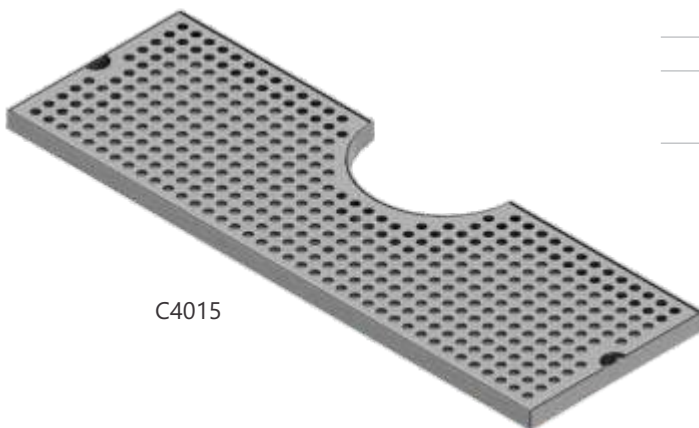
Part#	Product Name
C4007	16" x 7" Flush Mount Drip Tray - Brushed Stainless - With Drain

Rinser Drip Trays



C4012

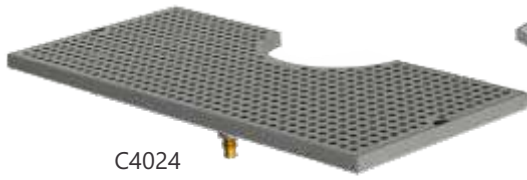
Part#	Product Name
C4012	45" x 7" Triple Rinser Drip Tray - Brushed Stainless With Drain



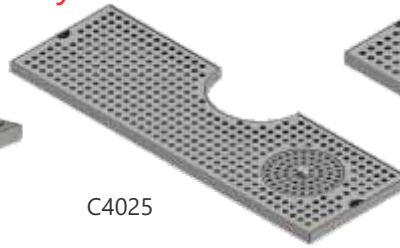
C4015

Part#	Product Name
C4014	14 * 8" Surface Mount - Cut out - Stainless Steel - 4" Column
C4015	14 * 8" Surface Mount - Cut out - Stainless Steel - 4" Column - w/drain

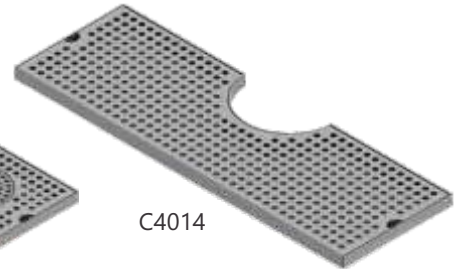
Cut Out Surface Mount Drip Tray



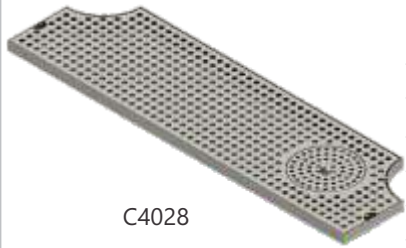
C4024



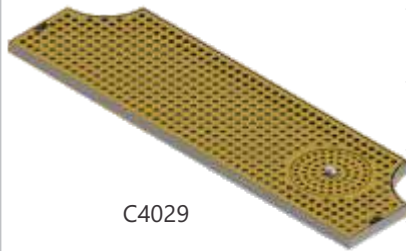
C4025



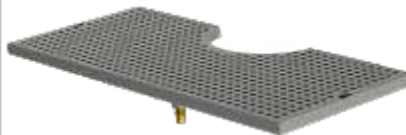
C4014



C4028



C4029



C4026

Part#	Product Name	
C4024	24 X 8" Surface Mount - Cut out - Stainless Steel - 4" Column	
C4025	24 X 8" Surface Mount - Cut out - Stainless Steel - 4" Column w/Rinser	
C4033	14" X 9" Surface Mount Drip Tray With Rinser - Brushed Finish	
C4028	28" X 8" Surface Mount Drip Tray With Rinser - Brushed Finish - Two Side Cut-Out	
C4029	28" X 8" Surface Mount Drip Tray With Rinser - Vibrant Gold Finish - Two Side cut-out	
C4034	34" X 8" Surface Mount Drip Tray With Rinser - Brushed Finish - Two Side Cut-Out	
C4035	34" X 8" Surface Mount Drip Tray With Rinser - Vibrant Gold Finish - Two Side Cut-Out	
C4040	40" X 8" Surface Mount Drip Tray With Rinser - Brushed Finish - Two Side Cut-Out	
C4041	40" X 8" Surface Mount Drip Tray With Rinser - Vibrant Gold Finish - Two Side Cut-Out	
C4046	46" X 8" Surface Mount Drip Tray With Rinser - Brushed Finish - Two Side Cut-Out	
C4047	46" X 8" Surface Mount Drip Tray With Rinser - Vibrant Gold Colour - Two Side Cut-Out	
C4052	52" X 8" Surface Mount Drip Tray With Rinser - Brushed Finish - Two Side Cut-Out	
C4053	52" X 8" Surface Mount Drip Tray With Rinser - Vibrant Gold Colour - Two Side Cut-Out	
C4026	24 X 12" Cut-Out Surface Mount Drip Tray, 7-1/2" Column	



C4027

Surface Mount Drain Tray

Part#	Product Name	
C4027	24" x 7" Surface Drip Tray - SS Polished - Without Drain	

Surface Drip Tray



C4224, C4230, C4239, C4245

Part#	Product Name
C4224	24" X 8" Surface Drip Tray - Brushed Stainless - With Drain
C4230	30" x 8" Surface Drip Tray - Brushed Stainless - With Drain
C4239	39" x 8" Surface Drip Tray - Brushed Stainless - With Drain
C4245	45" x 8" Surface Drip Tray - Brushed stainless - With Drain



C4060

Counter Mount Glass Rinser Tray

Part#	Product Name
C4060	6-3/8" x 6-3/8" Counter Mount Glass Rinser Tray - Brushed Stainless - With Drain

Drip Tray Accessories



C795

Part#	Product Name
C795	Pitcher Rinser Rebuild kit with spring



C4016

Part#	Product Name
C4016	Stainless Steel Replacement Disk for Rinser Assembly



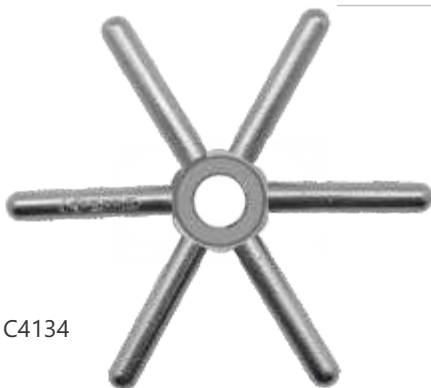
C4011

Part#	Product Name
C4011	Glass Rinser Spray Assembly without Punched Plate



C4112

Part#	Product Name
C4112	Beer hose assembly with beer nut on both ends 3/16" bore - 100% ss contact



C4134

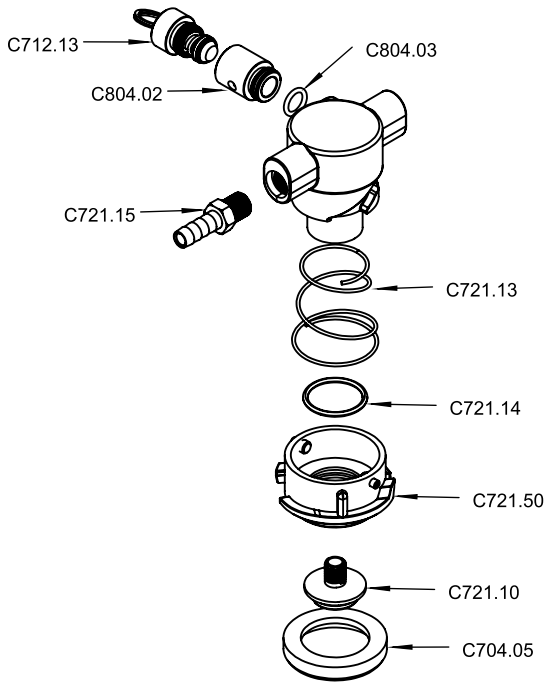
Part#	Product Name
C4134	Replacment Metal Disk for Rinser



C4135

Part#	Product Name
C4135	Replacement Pipe Set For SS Rinser Disk





D System C721

Pressure Relief valve Included For Safety , Releases at 56 – 65 PSI

Specifications:

- Low profile design for tight clearance installations.
- Compatible with all domestic brand keg.
- Fits D System keg valves.

Product Name	: Low Profile D System Keg Coupler
Gas Inlet Connection	: 5/16" I.D. Gas Hose
Body Material	: Stainless Steel
Probe Material	:304 Stainless Steel
Beer Outlet Connection	:3/16" I.D. Beer Hose
Handle Style	:Twist
Height	2-3/16"

Beer Line Fittings



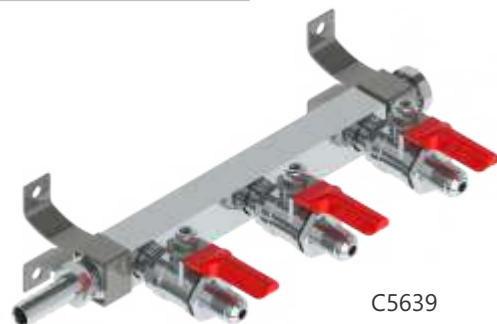
Part#	Product Name
C904	Stainless Steel 304 Splicer (Pipe Joiner)-3/16"x5/16"
C905	Stainless Steel 304 Splicer (Pipe Joiner)-3/16"x3/8"
C906	Stainless Steel 304 Splicer (Pipe Joiner)-1/4"x5/16"
C907	Stainless Steel 304 Splicer (Pipe Joiner)-5/16"x5/16"
C908	Stainless Steel 304 Splicer (Pipe Joiner)-5/16"x3/8"
C909	Stainless Steel 304 Splicer (Pipe Joiner)-3/8"x1/2"

Beverage Gas Management



C5600

Part#	Product Name
C5600	CO2 Pressure Tester for D and S system



C5639

Part#	Product Name
C5638	Gas Distributor 2 Way- 5/16" Inlet & 1/4" Mfl Connection Check Valve
C5639	Gas Distributor 3 Way- 5/16" Inlet & 1/4" Mfl Connection Check Valve
C5640	Gas Distributor 4 Way- 5/16" Inlet & 1/4" Mfl Connection Check Valve

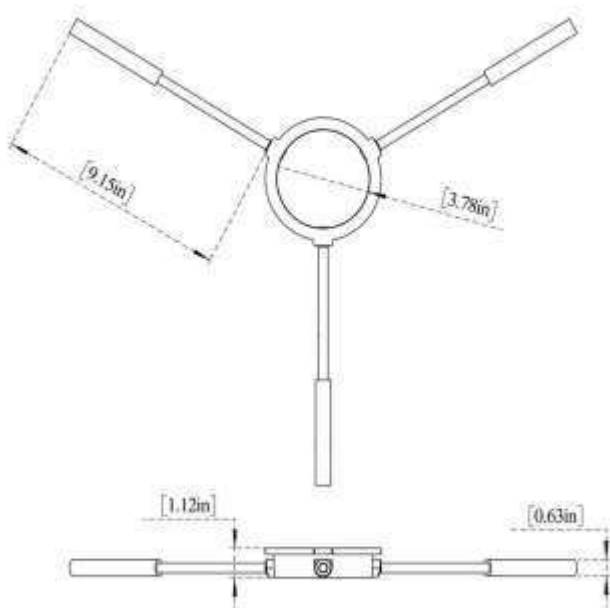
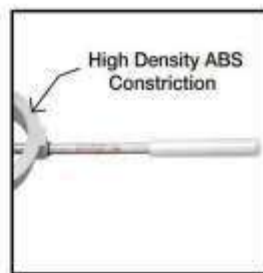
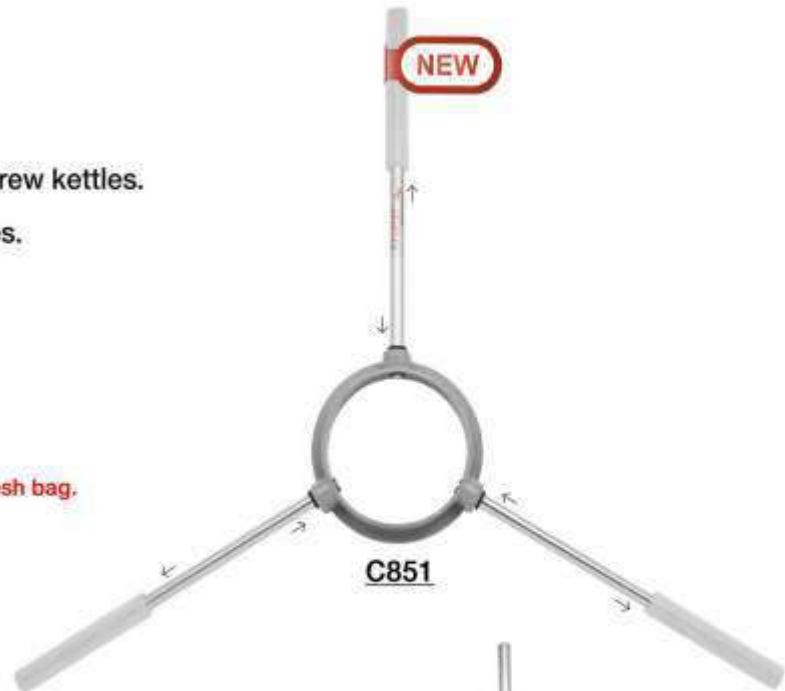
Kettle Spider

Features

- Made of 304 Stainless Steel.
- Adjustable anti-slip silicone sleeves.
- Adjustable arms for smaller or larger brew kettles.
- The Kettle Spider fit mostly in all kettles.
- Attach your own nylon hops bag.
- Makes Hop Additions Easier.
- It is open throughout the kettle.

Please note that this item does not include a mesh bag.

(Nylon Hops Bag – C771, C772, C773)



Help your customers to make their brew day easier and their additions more efficient with a Kettle Spider. Just attach a reusable nylon mesh bag with drawstring and use the Kettle Spider to steep grains in an extract batch or to take the mess and burns out of multiple hops additions in the kettle. We recommend using The Kettle Spider with our reusable Krome nylon hops bag with string. The Kettle Spider can also be used with regular hops bags attached around the ring.

* Special Price Offer valid till 31st of August or till stock lasts.

Home Brewing



Part#	Product Name
C897	36" Mash Paddle Without Hole
C898	36" Mash Paddle With Hole
C6531	36" Mash Paddle With Holes
C6532	36" Mash Paddle Without Holes
C6528	28" Mash Paddle plastic
C6624	24" Mash Paddle plastic
C6627	24" Plastic brew spoon
C6628	28" Plastic brew spoon

Part#	Product Name
C793	Stainless Steel Strainer For Pale Bucket
C851	Kettle Spider for Hops
C854	Universal Poppet Valve



Hydrometers and Test Jars



Part#	Product Name
C918	Gas Dip Tube – Gas In (38mm)
C5220	1" Dial Face thermometer 12' Long

Part#	Product Name
C6500	Hydrometer Test Jar
C6501	3 pieces airlock
C6502	Large Grommet for Airlock C6501
C6503	1/2" OD x 50' Length SS Wort Chiller With Garden Hose Fittings
C6521	AirLock With Small Universal Stopper- Set of 2

Universal Rubber Stoppers/Bung



C6505

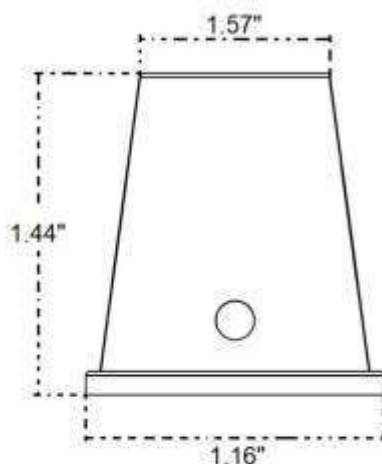


C6506



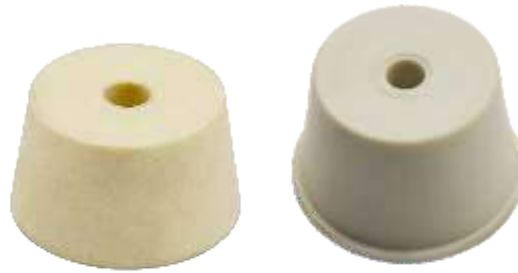
C6508

Part No.	Part Name	Top Dia	Bottom Dia	Center Hole
C6505	Small Universal Stopper- Drilled	1.57"	1.16"	3/8"
C6506	Small Universal Stopper- Solid	1.57"	1.16"	-
C6508	Large Universal Stopper- Drilled	2.34"	1.67"	3/8"



Stopper Type	Compatible with
Small Universal Stopper - Drilled or Solid	3, 5, 6 and 6.5 Gallon Glass Carboys
Large Drilled Stopper	5 & 6 Gallon Plastic Carboys

* Offer valid till 15th of August * Minimum order value \$500
 * Cannot be clubbed with any other offer or discount * Limited stock



C6517

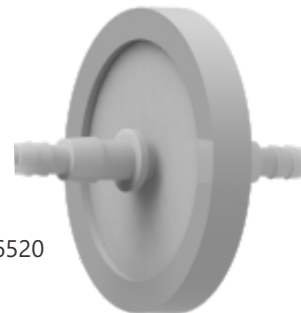
C6507

Part#	Product Name
C6507	Medium Universal Stopper - Drilled
C6517	Drilled Rubber Stopper



C6518

Part#	Product Name
C6518	Dip Tube for Brew Kettle



C6520

Part#	Product Name
C6520	INLINE AIR FILTER



C6510



C6513



C6509

Part#	Product Name
C6509	Chrome Plated Brass Adapter To Connect Faucet & Quick Disconnect With Coupling Nut
C6510	Growler With Handle - 64 Oz
C6512	Large Auto Siphon clamp - 1/2"
C6513	Stainless Steel Hop Steeper ball 3-Inch



C6524

Part#	Product Name
C6524	Soda Stream Adapter
C6525	Soda Stream Adapter for Australia and New Zealand



C6530



C6529



C6523

Part#	Product Name
C6523	Replacement seals for Soda stream adapter (set of 2 pcs)
C6529	Beer bottle Crown Caps 29mm
C6530	SS Carbonation Cap



C6533

Part#	Product Name
C6533	Large Nylon Mesh Straining Bag - 26"x 26"
C6538	Large Auto Siphon clamp - 3/8"



C6912



C6556



C6555



C6614



C6612

Part#	Product Name
C6555	Carbonation stone for 1/4" tubing - 0.5 micron ss316
C6556	STAINLESS OXYGEN WAND WITH .5 MICRON DIFFUSION STONE x 16" long tubing fits 3/16" id hose
C6612	TC tailpiece 1/2" - Stainless steel 304
C6613	TC Gasket 1/2" - BUNA N - 70 Duro -
C6614	Grolsch Gaskets - X100 pcs
C6906	Plug adapter 1/4" NPT x 19/32" keg post
C6912	Brew Thermometer 12" stem x 2.6" dia



C5210

Part#	Product Name
C5210	1" dial thermometer 0-220 f



C761

Part#	Product Name
C761	Krome Hop Stopper



C971

Part#	Product Name
C971	Igloo Cooler HLT Fiting



C6516



Part#	Product Name
C6514	S Shape Airlock
C6516	Manual Beer Bottle Capper

Kegeator Conversion Kits

Base Kit

C3102



C3103



C3104



C3105




C3107



C3108

Part#	Product Name
C3102	Regular Kegeator conversion Door kit - (with coupler - NoCO ₂ reg and Cly)
C3103	Deluxe Two Keg Tower Kegeator Conversion Kit
C3104	Deluxe Door Mount Kegeator Keg Tap Conversion Kit
C3105	Deluxe Two Keg Door Mount Kegeator Conversion Kit
C3106	Standard Guinness Dispensing Kegeator Keg Tap Conversion Kit
C3107	Deluxe Tower Kegeator Conversion Kit - 100% Stainless Steel Contact - SS Brushed Finish
C3108	Deluxe Two Keg Tower Kegeator Conversion Kit - 100% Stainless Steel Contact - SS Brushed Finish
C3109	Deluxe Two Keg Tower Kegeator Conversion Kit - Limited Edition



 Krome Dispense Private Limited
D- 74 Focal Point Extension
Jalandhar- 144 004 (Punjab)INDIA

 :+919814203010

 :info@kromedispense.com

 www.kromedispense.com





BAR and BEVERAGE

Dispensing

Global Edition

Additional Products Catalogue 2019

Beer Faucets



Part#	Product Name	Shank length	Thread	Body Material	Finish	Price
C278	Flow Control Polished 100% Stainless Steel Tap with Threaded SS Spout 35mm Shank and 10 mm Bore	35mm	5/8" X 14 BSP	Stainless Steel	SS Polished	
C294	Flow Control Polished 100% Stainless Steel Tap with SS Spout -35mm Shank and 10mm Bore	35mm	5/8" X 14 BSP	Stainless Steel	SS Polished	
C728	Standard European Beer Faucet With Compensator With SS Spout	35mm	5/8" X 14 BSP	Brass	SS Polished	
C3000	European Tap - 7mm Bore ABS spout without cream action					
C3001	European Tap - 10 mm Bore Stainless Steel spout without cream action	95mm	5/8" X 14 BSP	Stainless Steel	SS Polished	
C3011	Long Spout SS Compensator Faucet	95mm	5/8" X 14 BSP	Stainless Steel	SS Polished	



C560



C3018

Part#	Product Name	Thread	Body Material	Finish
C560	Self Closing Faucet with 3-1/2" Nipple Shank	5/8"X14 BSP	Brass	SS Polished
C3018	Self Closing Faucet With ABS Spout - PVD Gold	3/8" X 16 UNC	Brass	PVD



C467



C297

Part#	Product Name	Thread	Body Material	Finish
C210	Chrome Plated Brass Hand Dispensing Gun	M14X1.00	Brass	Chrome Plated
C297	SS Beer Dispensing Gun Guinness With Aerator	5/8"X26 BSB	Stainless Steel	SS Polished
C467	Hand Dispensing Gun With Barb SS	M14X1.00	Stainless Steel	Raw
C468	Hand Dispensing Gun With Barb Brass	M14X1.00	Brass	Chrome Plated



C3014

Part#	Product Name	Body Material	Finish
C3014	Standard Beverage Dispenser Tap – Stainless Steel	Stainless Steel 304	SS Polished
C3015	Standard Beverage Dispenser Tap – Chrome Plated Brass	Brass	SS Polished



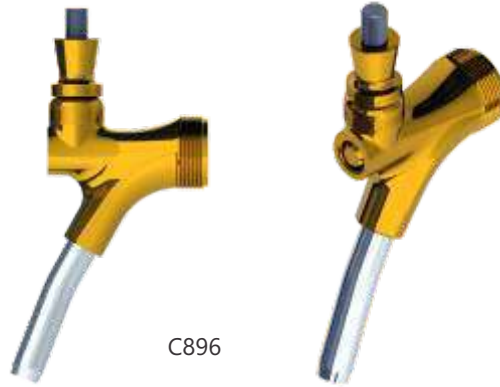
C271

Part#	Product Name	Body Material	Finish
C271	Spanish Beer Tap With Compensator - 60 Teeth	Brass	mirror polished
C451	Swing Lever Tap	Stainless Steel	mirror polished



C253

Part#	Product Name	Body Material	Finish
C253	DA Style Beer Tap - Stainless Steel with Snap Lock connection	Stainless Steel 304	SS Polished



C896

Part#	Product Name	Body Material	Finish
C896	Edge Tap / Wine Faucet With Extended Spout	Stainless Steel	Gold



C6511



Part#	Product Name	Shank length	Bore ID	Thread	Body Material	Finish
C6511	Watermelon Tap Kit	4-1/8"	1/4"	5/8"X14BSP	Brass	Polish Chrome



C980



C917



C3002



C3006

Part#	Product Name
C917	Auto Mechanism Beer Faucet -US Type With Spout
C980	Self Closing Post Mix Valve Set SS
C3002	European tap -10mm bore ss spout with us shank connection
C3003	European tap PVD -10mm bore ss spout with us shank connection
C3006	SAFE Tap with Compensator - 35mm Shank



C3035

Part#	Product Name
C3035	European Tap 35 mm with 1/2" Thread and 5/16" JG Inlet
C3055	European Tap 55 mm with 1/2" Thread and 5/16" JG Inlet

Beer Tap Handles



C177

Part#	Product Name
C177	Plastic Brand Handle for Soda Tap



C3524

Part#	Product Name
C3524	Antique Flat Wood Tap Handle

C665



Part#	Product Name
C3509	Pub Style Handle 12" Long - White - Hoegaarden
C3592	pub style handle for stout faucet pvd - black
C665	Pub Style Handle - With Chrome Plated (Black)
C667	Ceramic Pub Style Tap Handle



C3512

Part#	Product Name
C3512	Chalk Board Handle

C3525



Part#	Product Name
C3525	Ingridient Tap Handle With Dual Face Badge



C471



C3593

Part#	Product Name	
C3593	Faucet Handle Ferrule - Black (Powder Coated)	
C3594	Round Ferrule - Gold	
C3595	Round Ferrule - Polished Chrome	

Part#	Product Name	
C292	Wooden Handle	
C471	Wooden Handle With Board	
C3513	Wooden Knob for Standard	
C780	Faucets - 3/8" X 16 UNC Female Thread SS Tray With Wooden Handle	

Jockey Box

Bar and Restaurant Equipments



C4021

Part#	Product Name	
C4021	Steel Belted Jockey Box with Slim tower - 1 Tap	
C4103	Jockey Box white with stainless steel contact 100% - 3 tap	
C4104	Jockey Box blue with- 3 tap with brass tap and shank	
C4107	4 Tap Stainless Steel Jockey Box	



C4022

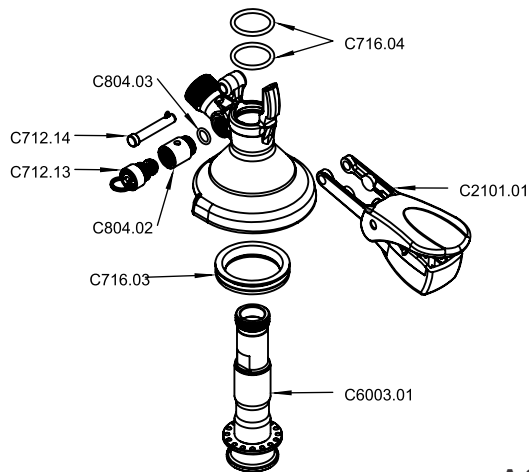
Part#	Product Name	
C4022	Steel Belted Jockey Box with 2 Tap Tower	



C914

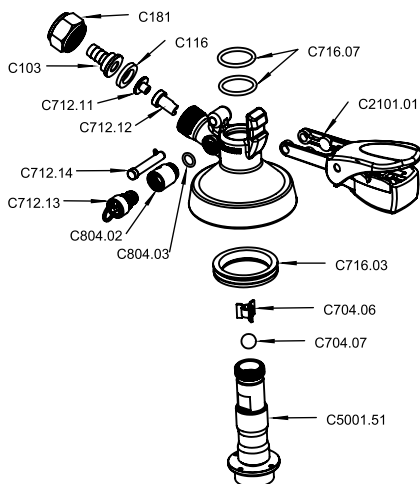
Part#	Product Name	
C914	3-1/8" Special Shank For Jockey Box 3/8" Bore	

Keg Coupler



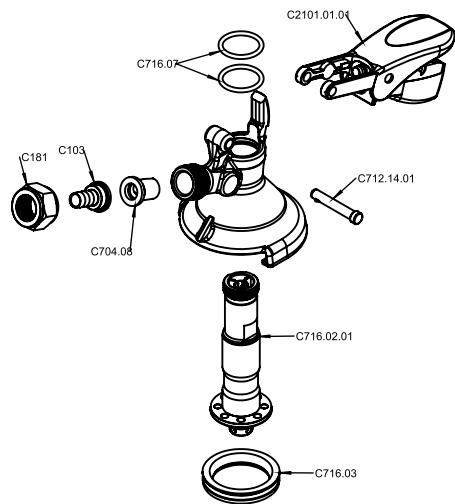
A System C6003

Part#	Product Name	System	Gas Inlet	Probe Thread	PRV	Body Material	Probe Material
C5000	A system Coupler without PRV (russia market)	A System	5/16" Barb	5/8" BSP	No	Brass	Stainless Steel 304
C6003	A System Keg Coupler with PRV	A System	5/16" Barb	5/8" BSP	Yes	Brass	Stainless Steel 304



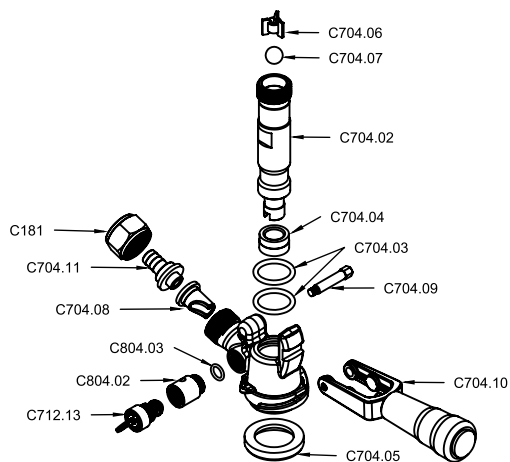
G System C5001

Part#	Product Name	System	Handle type	Probe Thread	PRV	Body Material	Probe Material
C5001	G System Coupler (US Style)	G System	Eagle Handle	5/8" Barb	yes	Brass	Stainless Steel 304
C5002	G System Coupler (Russian Style)	G System	Eagle Handle	1/4" Barb	No	Brass	Stainless Steel 304



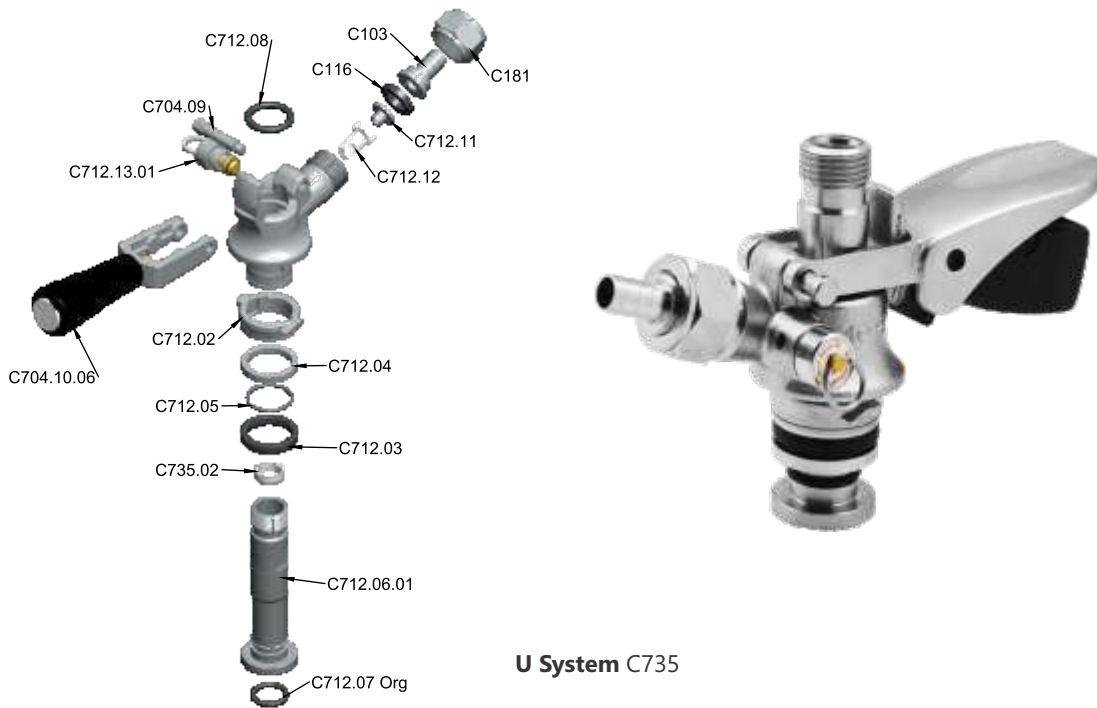
M System C5004

Part#	Product Name	System	Gas Inlet	Probe Thread	PRV	Body Material	Probe Material
C5004	M System Keg Coupler without PRV	M System	5/8" BSP	5/8" BSP	No	Brass	Stainless Steel 304



S System C746

Part#	Product Name	System	Gas Inlet	Probe Thread	PRV	Body Material	Probe Material
C010	S System Keg Coupler	S System	5/16" Barb	5/8" BSP	No	Brass	Plated Low Hard Hoses
C746	S System keg Coupler (Without PRV) With	S System	5/16" Barb	5/8" BSP	Yes	Brass	Stainless Steel 316
C4002	Sight Glass S System UK Keg Coupler	S System	5/16" Barb				



U System C735

Part#	Product Name	System	Gas Inlet	Probe Thread	PRV	Body Material	Probe Material
C735	U System Keg Coupler	U System	5/16" Barb	5/8" BSP	Yes	Stainless Steel	Stainless Steel
C5012	U System Keg Coupler without PRV - 1/2" X 1/2" (Guinness)	U System	1/2" BSP	1/2" BSP	No	Stainless Steel	304 Stainless Steel

Kege Coupler Accessories



C2255

Part#	Product Name	System
C758	Replacement Washer for S Type Keg Spear	Kege Coupler Accessories
C2255	Kege Filler with Sight Glass-Coupler Not Included	Kege Coupler Accessories

Part#	Product Name	
C5201	Strain Relief Boot	

Party Dispensing & Accessories



Part#	Product Name	
C4575	S System Party Dispensing Keg Coupler With Foot Pump	



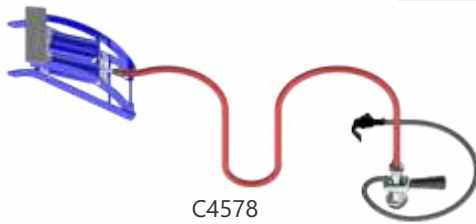
Part#	Product Name	
C4576	1/2" Upright Converter with 4" Metal Pump	
C4577	1/2" Upright Converter with 8" Metal Pump	

Party Dispensing & Accessories



C6534

Part#	Product Name
C6534	Party Beer Dispenser Keg Tap Kit with A System coupler & 5 LB Co2 Tank
C6535	Party Beer Dispenser Keg Tap Kit with GSystem coupler & 5 LB Co2 Tank



C4578

Part#	Product Name
C4501	D System Party Dispensing Keg Coupler with Plastic Pump & PRV
C4564	D System party coupler with release valve & 8" metal pump
C4578	D System Party Dispensing Keg Coupler With Foot Pump



C4574

Part#	Product Name
C983	Part Coupler With Foot Pump
C4574	Krome Rap tap 4-Way Keg Beer Splitter with Picnic Faucets

Beer Line Fittings



C078

Part#	Product Name	
C078	Plastic Quick Connect 5/16" Power X 3/8" JG	
C099	Plastic Quick Connect 3/8" JG X 7/16" JG	



C293

Part#	Product Name	
C293	Brass Tail Piece- 3/16 Tubing	



C5509

Part#	Product Name	
C084	Push in fitting-JG(1/4"bspX3/8" OD)	
C5509	1/2" Tube OD Y Push in Fitting	



C3192

Part#	Product Name
C404	Inplace Cleaning Adapter
C799	PP 1/2" X 3/8" BSP Female Adapter
C3192	5/8" FM x 5/8" FM SS hex adapter
C5593	SS swivel adapter 3/8" Barb x 1/4" FFL swivel nut (fixed)



C741

Part#	Product Name
C741	Plastic Quick Connect - 3/8" JG x 7/16" Female Thread



C415

Part#	Product Name
C407	Stainless Steel 304 Splicer (Pipe Joiners) 10 x 10 mm
C408	Stainless Steel 304 Splicer (Pipe Joiners) 4.4 x 7 mm
C415	Stainless Steel 304 Splicer (Pipe Joiner)-3/8" x 3/8"
C416	3/16" x 3/16" Splicer
C904	Stainless Steel 304 Splicer (Pipe Joiner)-3/16"x5/16"
C905	Stainless Steel 304 Splicer (Pipe Joiner)-3/16"x3/8"
C906	Stainless Steel 304 Splicer (Pipe Joiner)-1/4"x5/16"
C907	Stainless Steel 304 Splicer (Pipe Joiner)-5/16"x5/16"
C908	Stainless Steel 304 Splicer (Pipe Joiner)-5/16"x3/8"
C909	Stainless Steel 304 Splicer (Pipe Joiner)-3/8"x1/2"



C5532

Part#	Product Name
C5532	Y fitting
C5564	Y fitting for 1/4" ID Hose
C5565	Y fitting for 3/8" ID Hose
C5566	Y fitting for 5/16" ID Hose
C659	Chrome Plated Brass Co2 Gas Regulator Air " Y" Fitting



C5571

Part#	Product Name
C743	3/8" x 1/2" BSP Flat Female Connector
C766	3/8" x 1/4" NPTF Male Connector
C5571	Inline (secondary) Regulator Connector Nipple With Left Hand Threads.

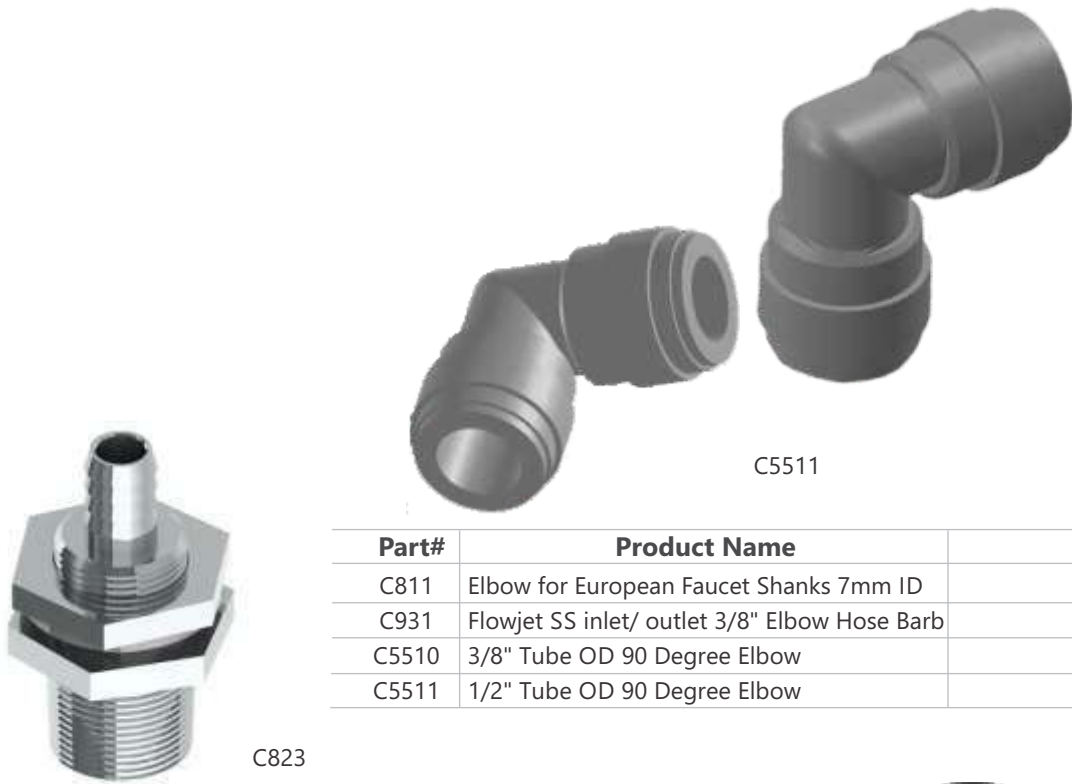


C929



C930

Part#	Product Name
C929	Flowjet syrup Out Fitting 3/8"
C930	Flowjet Outlet Plastic Fitting
C932	Flowjet Gas - "T" 1/4" Barbed End



Part#	Product Name
C811	Elbow for European Faucet Shanks 7mm ID
C931	Flowjet SS inlet/ outlet 3/8" Elbow Hose Barb
C5510	3/8" Tube OD 90 Degree Elbow
C5511	1/2" Tube OD 90 Degree Elbow

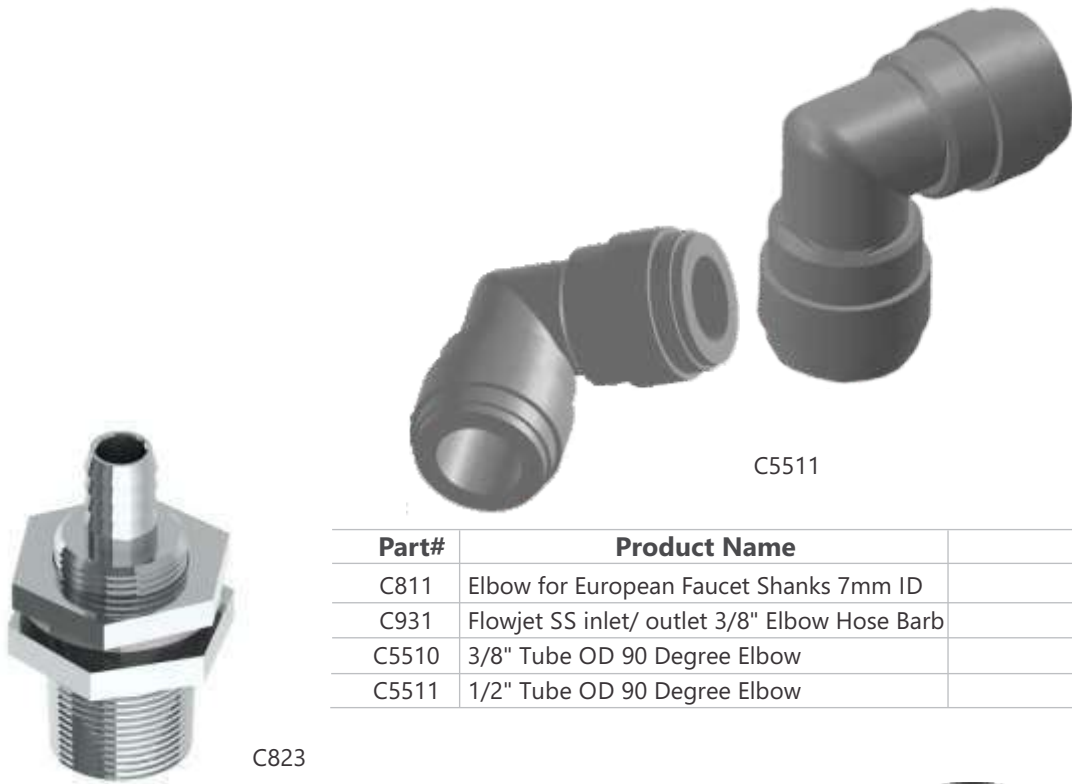
Part#	Product Name
C821	Igloo cooler brass HLT fitting (5 pcs set)
C823	SS 3/8" Barb Fitting of Igloo Cooler



Part#	Product Name
C5204	Ball Lock Post - Liquid
C5205	Ball Lock Post - Gas
C6542	Ball Lock Sample Faucet
C6543	Disconnect out liquid ball lock barbed end- black
C6544	Disconnect in gas ball lock barbed end - grey



Part#	Product Name
C6545	SS Female Quick disconnect x 1/2" female NPT
C6547	SS Male Quick Disconnect 1/2" Female NPT
C6548	SS Female Quick disconnect x 1/2" male NPT



Part#	Product Name
C811	Elbow for European Faucet Shanks 7mm ID
C931	Flowjet SS inlet/ outlet 3/8" Elbow Hose Barb
C5510	3/8" Tube OD 90 Degree Elbow
C5511	1/2" Tube OD 90 Degree Elbow

Part#	Product Name
C821	Igloo cooler brass HLT fitting (5 pcs set)
C823	SS 3/8" Barb Fitting of Igloo Cooler



Part#	Product Name
C5204	Ball Lock Post - Liquid
C5205	Ball Lock Post - Gas
C6542	Ball Lock Sample Faucet
C6543	Disconnect out liquid ball lock barbed end- black
C6544	Disconnect in gas ball lock barbed end - grey



Part#	Product Name
C6545	SS Female Quick disconnect x 1/2" female NPT
C6547	SS Male Quick Disconnect 1/2" Female NPT
C6548	SS Female Quick disconnect x 1/2" male NPT



C5506

Part#	Product Name
C5506	SS FOB cam lever 5/8 Bsp
C5507	SS FOB cam lever 3/8 Barb
C5516	SS FOB Lid Assembly
C5517	Ultra Clear Glass for SS FOB



C5518

Part#	Product Name
C991	5/16" X 1/4" NPT
C5518	NPT Threaded Stem 0.5" x 2"
C5519	NPT Threaded Stem 0.5" x 2.5"



C5927

Part#	Product Name
C927	EPE Foam Tube
C5515	2-1/8" ID x 3/4" Wall Closed Cell Flexible Foam
C5927	Epe Foam tube 3/4" id



C5203

C5504

Part#	Product Name
C989	Wall Bracket With Filter Holder
C992	Importing Waste Coupling
C2182	3/8" X 5/16" Tube To Hose Stem
C5203	Tri Clamp 1" X 5/8" BSP for python tubing
C5503	Insulation Tube 1/2" ID X 1/2" Wall
C5504	5/8" Hex Beer Nut Cap and Washer
C5508	1/2" JG x 1/2" JG Shut Off Valve
C5530	Spanner With 30- 32 mm Key
C5533	U fitting
C5535	6 Outlet Cleaning Manifold - 5/8" Thread
C5542	Tube to Hose Stem - 3/16" X 3/8" JG Fitting.
C5561	Gas Hose Tee for 5/16" ID hose
C5570	Beer Shutoff valve 5/8" M x 5/8" FM without swivel nut
C5580	SS Tee 1/4" Barb x 3/8" Barb
C749	High Pressure Co2 Hose
C759	3/8" X 3/8" X 3/8" Angle Stop Valve



Part#	Product Name
C924	Stainless Steel 304 Splicer (Pipe Joiner)- 1/2"x1/2"
C926	Stainless steel Step Less Clamp (21 mm)
C5522	Wall Mount Clamp Bracket
C5540	SS Cross Tee For 3/8" ID Hose

Part#	Product Name
C6552	Disconnect Out Liquid Ball Lock MFL- Black
C6553	Disconnect Out Liquid Ball Lock MFL- Grey
C6557	Disconnect Out Liquid Pin Lock Barbed End - Black
C6558	Disconnect In Gas Pin Lock Barbed End - Grey
C6559	Disconnect Out Liquid Pin Lock MFL - Black
C6560	Disconnect In Gas Pin Lock MFL - Grey



Beer Line Cleaning Accessories



C2226

Part#	Product Name	
C2226	Plastic Cleaning Bottle With G System Fittings	
C2227	Plastic Cleaning Bottle With U System Fittings	



C664

Part#	Product Name	
C080	D&U Cleaning part	
C664	D & S System Cleaning Adapter	



C6490



C6492

Part#	Product Name	
C6492	Recirculating Beer Line Cleaning Pump (110v)	
C6493	Recirculating Beer Line Cleaning Pump- 240 Volt	

Part#	Product Name	
C6002	Dual Flush Coupler For D and S System	
C6053	Swivel Nut Fixed Tailpiece Jumper Hose	
C6490	Suction Hose	
C6491	Discharge Line assembly	



C6499

Part#	Product Name	
C6499	Strainer for Suction line - 1/4" FPT Threads	



C247

Part#	Product Name
C247	Swivel Nut Fixed Tailpiece Jumper Hose

Beverage Gas Management

Gas Blenders



C2575

Part#	Product Name
C2575	Gas Blender- Single
C6040	Gas Blender- Single
C6041	Gas Blender- Double
C7030	Gas Blender- Single
C7031	Gas Blender- Double

Beer CO₂ Regulators



C5525

Part#	Product Name
C5524	CO ₂ Regulator for Brewery
C5525	Oxygen Regulator for Brewery
C5526	N ₂ o Regulator for Brewery



C858

Part#	Product Name
C858	Co ₂ Regulator Replacement Gauge- Bottom Connection 0-160 PSI



C870

Part#	Product Name
C870	Co ₂ Regulator With PRV



C5521

Part#	Product Name
C5521	CO ₂ Regulator Gauge Cover



C990

Part#	Product Name
C990	Water pressure Regulator

Beer CO₂ Regulators



C4583

C4584

C4585

C4586

Part#	Product Name
C4583	D System CO ₂ Beer Dispensing Kit With DIN 477 Thread CO ₂ Regulator
C4584	S System CO ₂ Beer Dispensing Kit With DIN 477 Thread CO ₂ Regulator
C4585	A System CO ₂ Beer Dispensing Kit With DIN 477 Thread CO ₂ Regulator
C4586	G System CO ₂ Beer Dispensing Kit With DIN 477 Thread CO ₂ Regulator



C5613



C5633

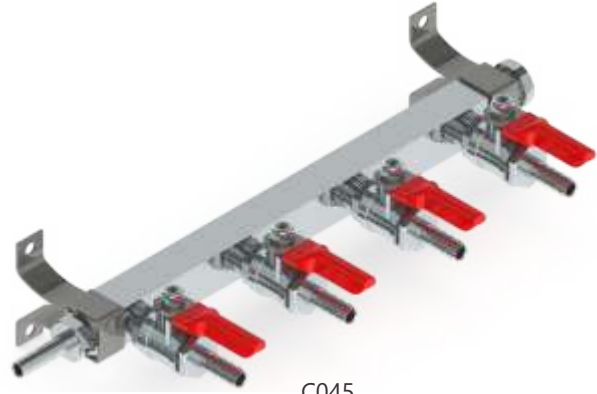
Part#	Product Name
C5633	regulator gauge cage for primary micromatic regulator

Part#	Product Name
C5613	Precision Primary CO ₂ Regulator 1 Outlet - USA
C5614	Precision Primary CO ₂ Regulator 2 Outlet - USA



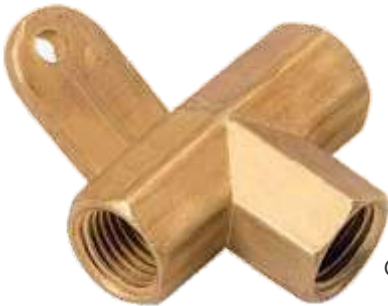
C5871

Part#	Product Name
C5871	Precision High Pressure Primary CO ₂ Regulator -1 Outlet



C045

Part#	Product Name	
C043	Gas Distributor (Without PRV) - Two Way 3/16" O.D	
C044	Gas Distributor (Without PRV) - Three Way 3/16" O.D	
C045	Gas Distributor (Without PRV) - Four Way 3/16" O.D	



C554

Part#	Product Name	
C554	Brass Air Distributor Manifold	



C5527

Part#	Product Name	
C5527	Reducer Coupler -3/4:"F x 1.2"	



C942

Part#	Product Name	
C447	Air Valve 3/16" Barb	
C942	Double Gauge Co2 Primary Reuglator - 2 Outlet	



C5534

Part#	Product Name	
C5534	3/8" Wall Mount U-Bend Manifold, 304SS	

Air Distributer Accessories



C5600

Part#	Product Name
C5600	CO2 Pressure Tester for D and S system



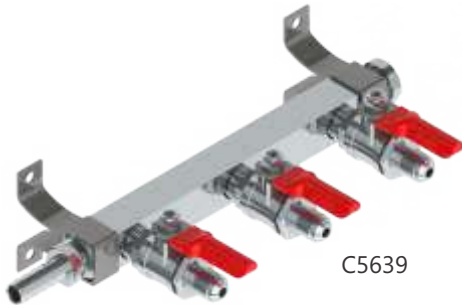
C951

Part#	Product Name
C951	Inlet Nipple For Air Distributer with 3/8" push in fitting



C5615

Part#	Product Name
C5615	Nitrogen Regulator Dual Pressure, 2 Outlet - India



C5639

Part#	Product Name
C5638	Gas Distributor 2 Way- 5/16" Inlet & 1/4" Mfl Connection Check Valve
C5639	Gas Distributor 3 Way- 5/16" Inlet & 1/4" Mfl Connection Check Valve
C5640	Gas Distributor 4 Way- 5/16" Inlet & 1/4" Mfl Connection Check Valve

Aluminium CO₂ Gas Cylinder



C2329

Part#	Product Name
C2328	CO ₂ Cylinder USA- 5 Lb
C2329	Nitrogen Cylinder USA - 5lb



C5514

Part#	Product Name
C5512	2 Line Secondary Regulator Panel
C5513	3 Line Secondary Regulator Panel
C5514	4 Line Secondary Regulator Panel



C5611

Part#	Product Name
C5611	Nitrogen Primary regulator 1 Outlet - India

Barista Tools

KEGS



Part#	Product Name	
C2361	2.5 Gallon Rubber Handle Cornelius Keg - NSF Certified	
C2362	2.5 Gallon Single Steel Handle Cornelius Keg - NSF Certified	
C2363	3 Gallon Single Steel Handle Cornelius Keg - NSF Certified	
C2364	5 Gallon Single Steel Handle Cornelius Keg - NSF Certified	



C2207



C2208

Part#	Product Name	
C2207	2 Litre Mini Keg - Copper Finish	
C2208	2 Litre Mini Keg - PVD Coated	

Barista Tools



C1014

C1013

Part#	Product Name	
C1013	Cold Brew Beer Tower - 2 Faucets- SS Polished - Air Cooled	
C1014	Cold Brew Beer Tower - 1 Faucet - SS Polished - Air Cooled	



C1884

Part#	Product Name	
C1884	Rectangular Waste Bin Chute	



Part#	Product Name	
C881	Wooden counter top knock box	
C882	Wooden Counter Top Pitcher Rinser	
C2449	Cupping Spoon	

Knock Box

C7008



Part#	Product Name	
C7008	Espresso Tamping Mat- 6" x 6"	
C7009	Espresso Tamping Mat- 12" x 5"	
C7010	Espresso tamping mat	



Part#	Product Name	
C7000	Open Bottom Round Knock Box	
C7060	Standard Round Knock Box -Brushed Stainless Steel	

Tools



C852

Part#	Product Name
C852	Sanke Kit For Liquid
C853	Sanke Kit For Gas



C774



C280

Part#	Product Name
C280	Beer Gun Repair Kit
C774	Big Hose Cutter
C778	Bottle Opener (Pipe)



C888

Part#	Product Name
C888	Pail Opening Tool
C894	Single Open Ended Spanner / Jaw Spanner -32 mm



C5202

Part#	Product Name
C5202	Spanner SW 30/32 - CO2/N2



C5531

Part#	Product Name
C5531	N2O Gas Cylinder Opening Tool



C3541

Part#	Product Name	
C995	Bar Spoon	
C3540	Barista Stencils Stainless Steel 16 Pcs Set	
C3541	Latte Art Pen	



C2525

Part#	Product Name	Material	Finish	
C2525	2.5" base screw cover Flange	Stainless Steel	SS Polished	
C2530	3" base screw cover Flange	Stainless Steel	SS Polished	



C635

Part#	Product Name
C635	Budweiser Magnum Medallion - 80 mm




C2503

C2505

Part#	Product Name
C2503	3" Tower Cap Copper Finish
C2505	220 V Transformer for LED illumination

Part#	Product Name
C7022	Single speed Rail 22" long
C7032	Single speed Rail 32" long



 Krome Dispense Private Limited
D- 74 Focal Point Extension
Jalandhar- 144 004 (Punjab)INDIA

 :+919814203010

 :info@kromedispense.com

 www.kromedispense.com

