

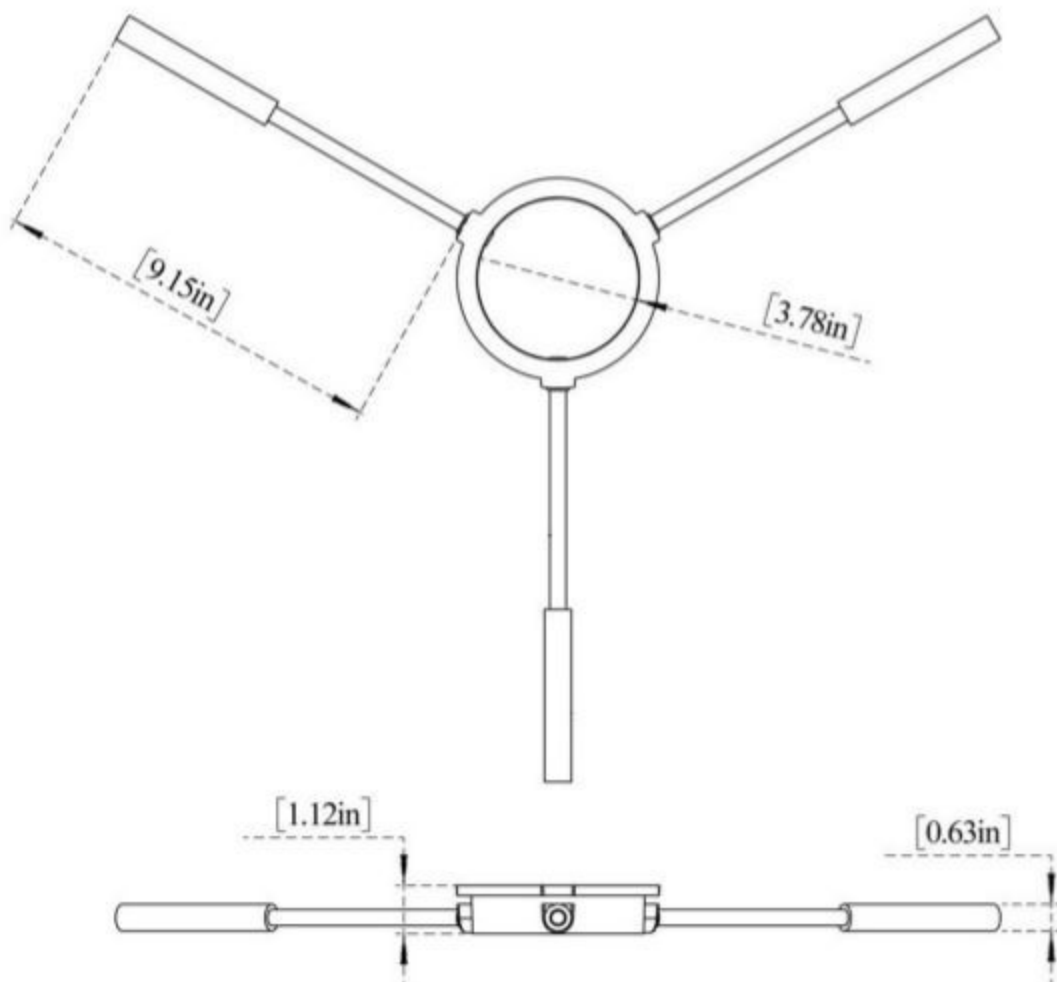
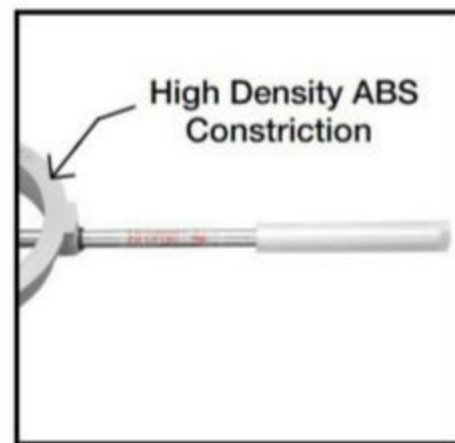
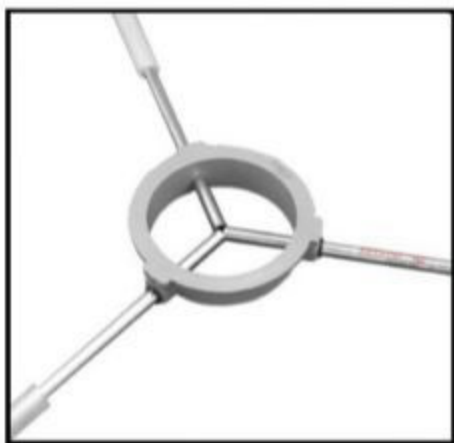
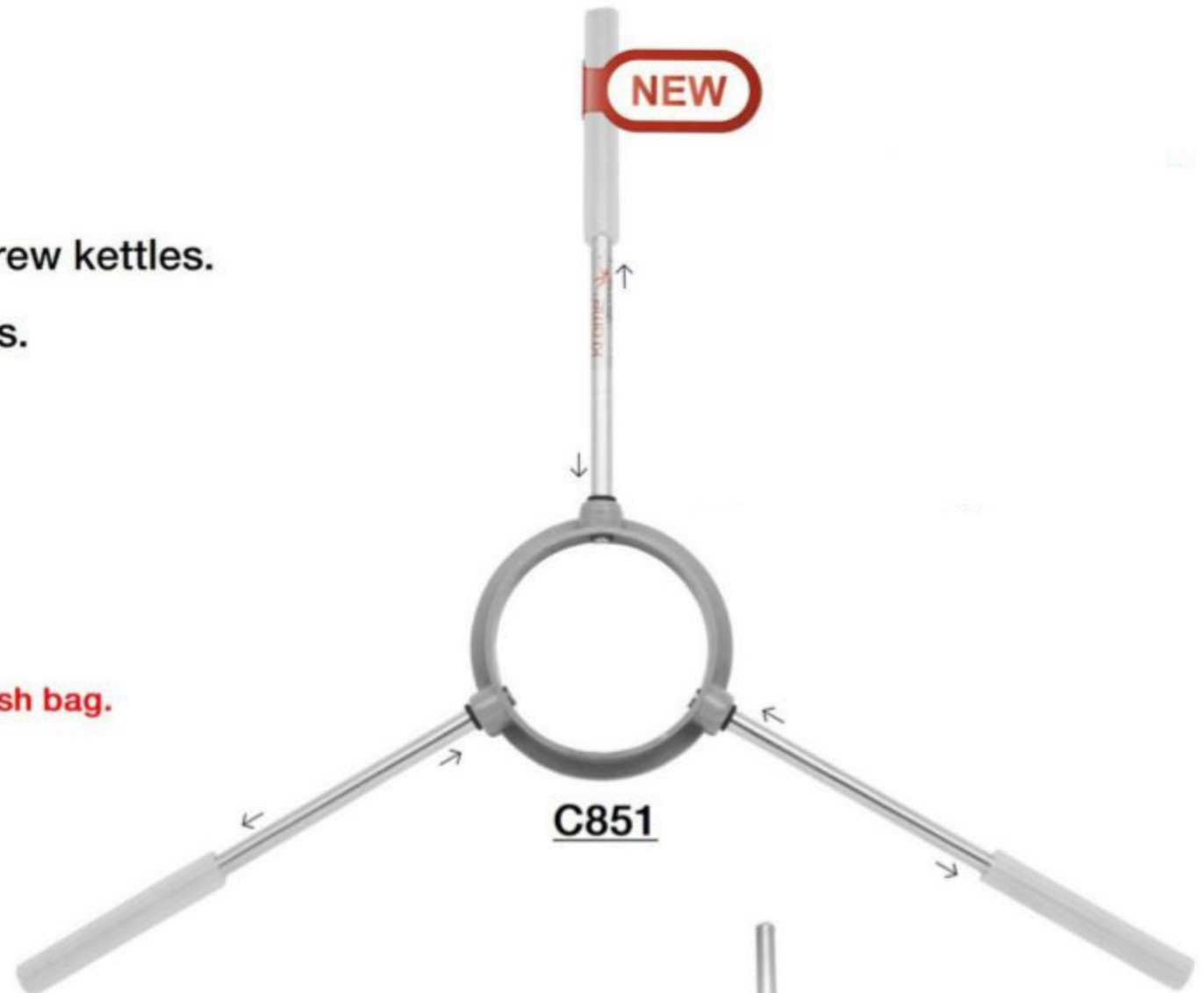
# Kettle Spider

## Features

- Made of 304 Stainless Steel.
- Adjustable anti-slip silicone sleeves.
- Adjustable arms for smaller or larger brew kettles.
- The Kettle Spider fit mostly in all kettles.
- Attach your own nylon hops bag.
- Makes Hop Additions Easier.
- It is open throughout the kettle.

Please note that this item does not include a mesh bag.

(Nylon Hops Bag – C771, C772, C773)



Help your customers to make their brew day easier and their additions more efficient with a Kettle Spider. Just attach a reusable nylon mesh bag with drawstring and use the Kettle Spider to steep grains in an extract batch or to take the mess and burns out of multiple hops additions in the kettle. We recommend using The Kettle Spider with our reusable Krome nylon hops bag with string. The Kettle Spider can also be used with regular hops bags attached around the ring.